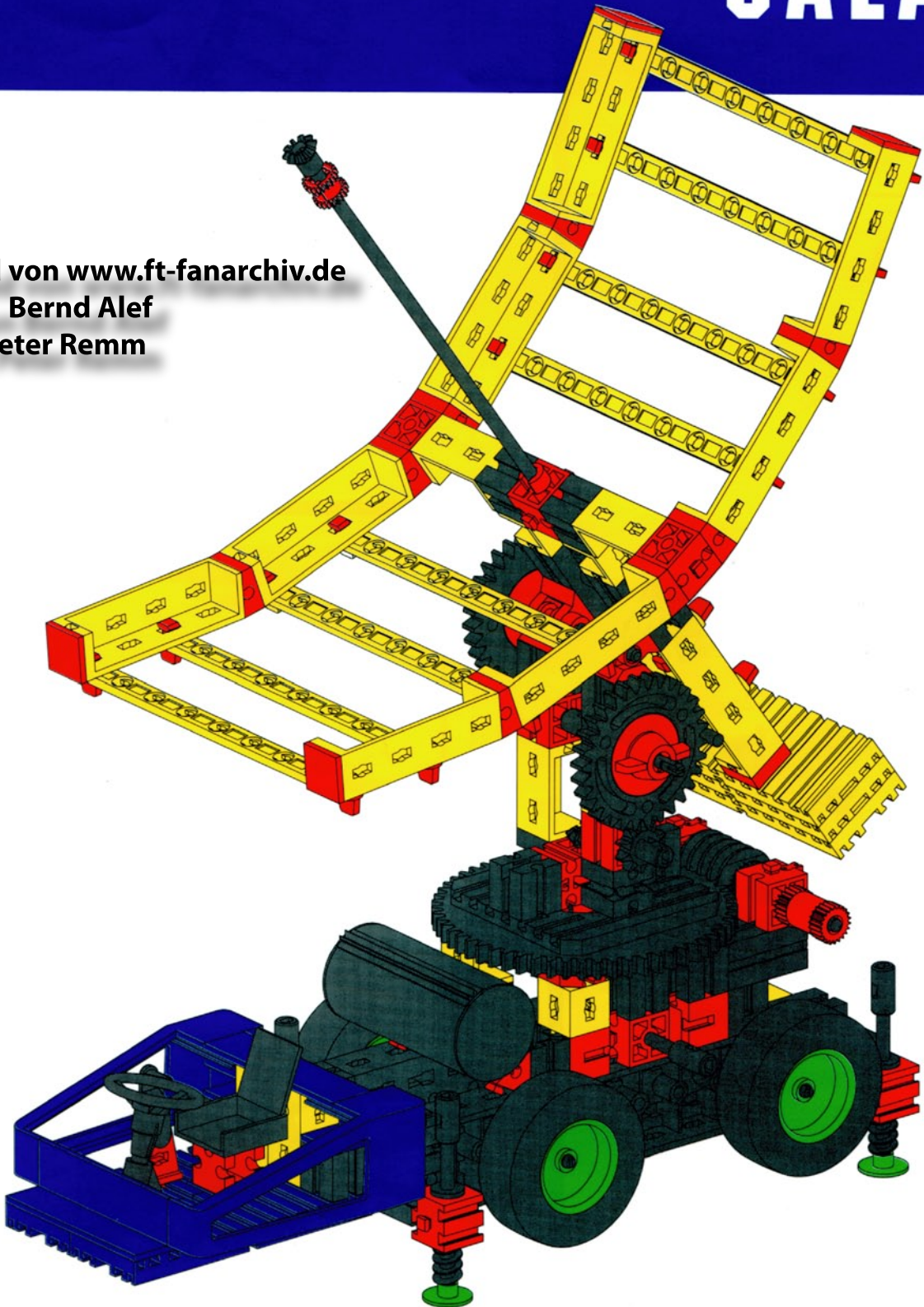


# MASTERPLUS

## GALAXY

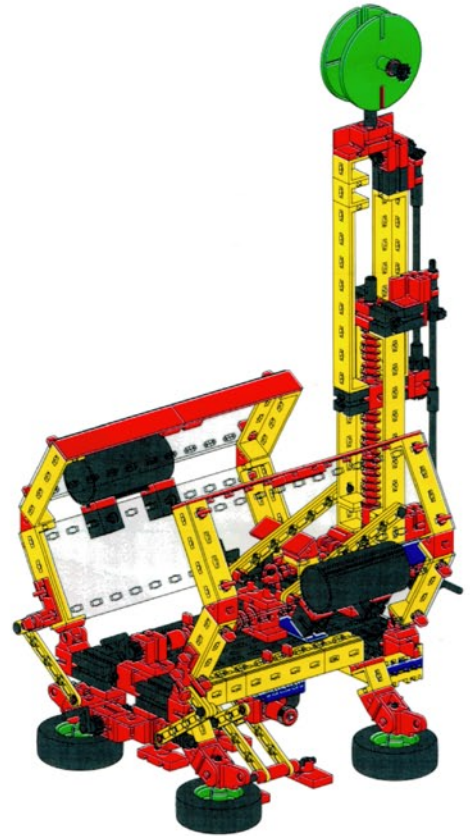
Download von [www.ft-fanarchiv.de](http://www.ft-fanarchiv.de)  
Scann von Bernd Alef  
PDF von Peter Remm





Space observer truck

4



Space observation center

12












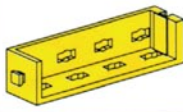




















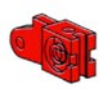





























Space control center

24

**Einzelteilübersicht**  
Spare parts list  
Liste des pièces détachée

**Onderdelenoverzicht**  
Lista de piezas  
Lista dei pezzi







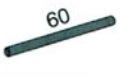












	31010 4x		31994 2x		35065 4x		36248 45x
	31011 11x		32064 18x		35066 6x		36264 2x
	31023 5x		32316 6x		35071 5x		36297 9x
	31060 6x		32850 8x		35073 8x		36298 5x
	31426 8x		32870 2x		35076 4x		36299 4x
	31436 19x		32881 6x		35087 2x		36324 4x
	31667 2x		32882 3x		35112 2x		36328 8x
	31671 2x		35049 3x		35113 1x		36334 1x
	31843 2x		35050 4x		35945 5x		36701 4x
	31848 4x		35053 18x		35973 4x		36702 2x
	31905 1x		35060 8x		35977 4x		36703 2x
	31909 1x		35061 8x		35979 2x		36817 4x
	31915 2x		35062 7x		35980 6x		36818 2x
	31981 4x		35063 3x		35998 2x		36819 11x
	31982 8x		35064 2x		36227 4x		37237 6x

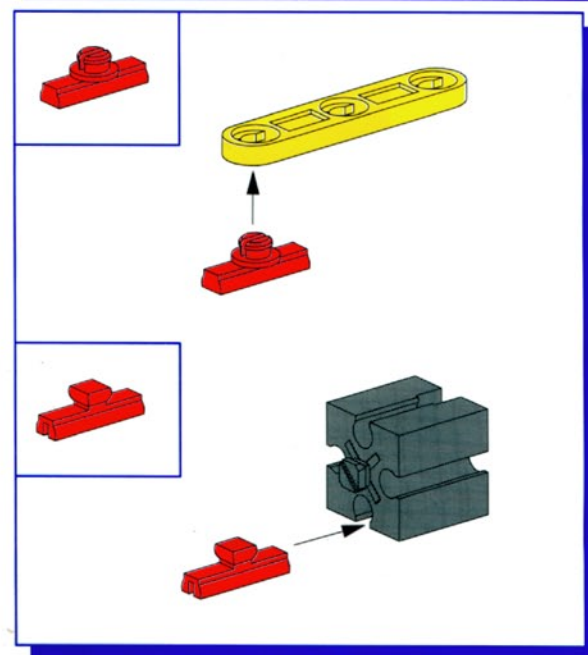
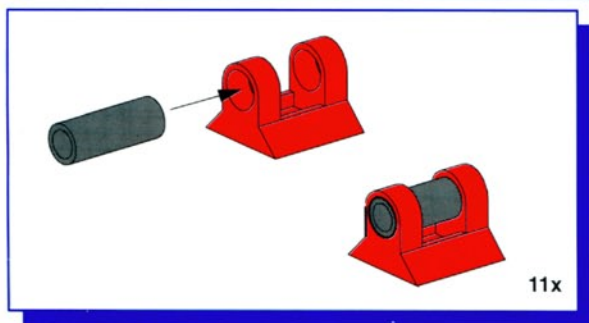
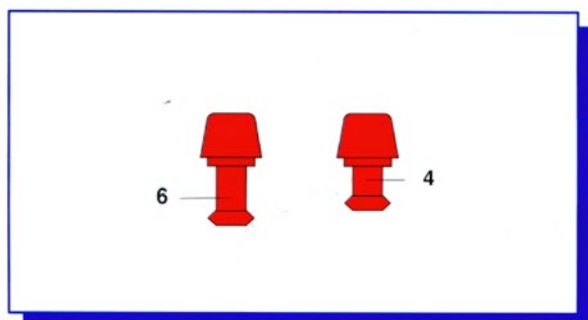
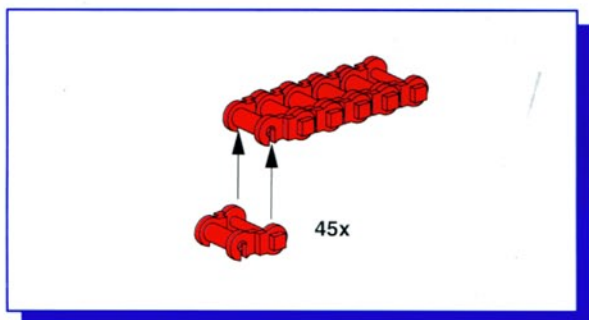
**Einzelteilübersicht**  
Spare parts list  
Liste des pièces détachées

**Onderdelenoverzicht**  
Lista de piezas  
Lista dei pezzi

**Montagen**  
Mountings  
Montages

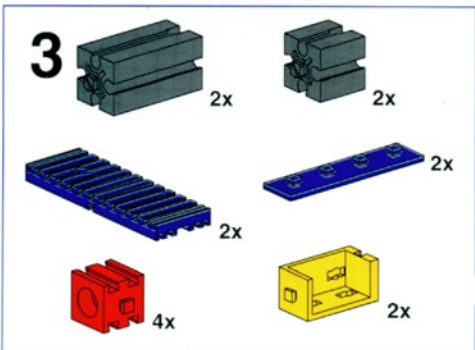
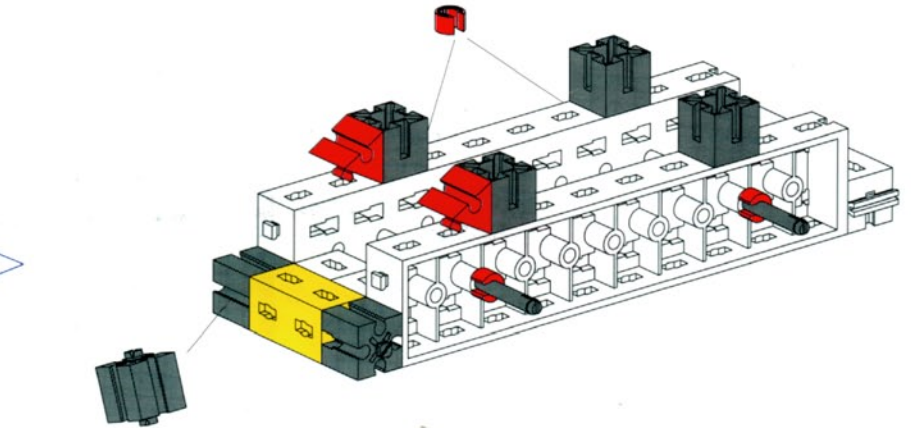
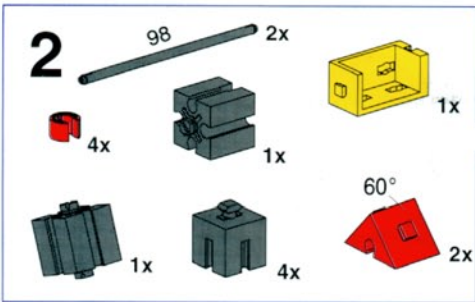
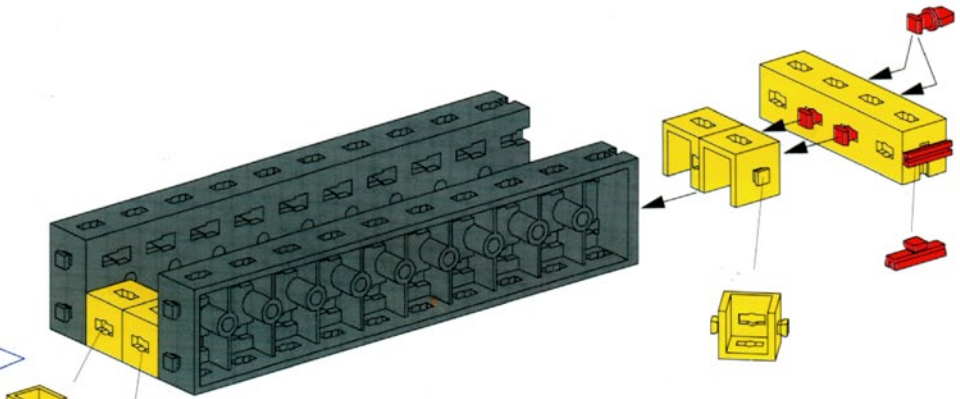
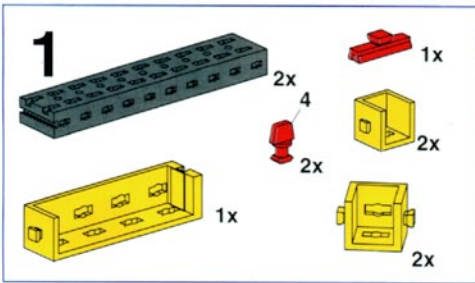
**Montage's**  
Montajes  
Assemblaggio

	37468 3x		38240 9x		38253 2x		38538 2x
	37527 2x		38244 3x		38416 1x		38540 2x
	37858 3x		38245 2x		38423 3x		38544 3x
	37925 3x		38246 4x		38428 9x		38545 2x
	37926 6x		38251 4x		38531 4x		

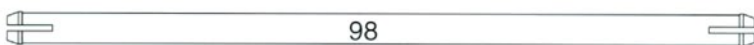
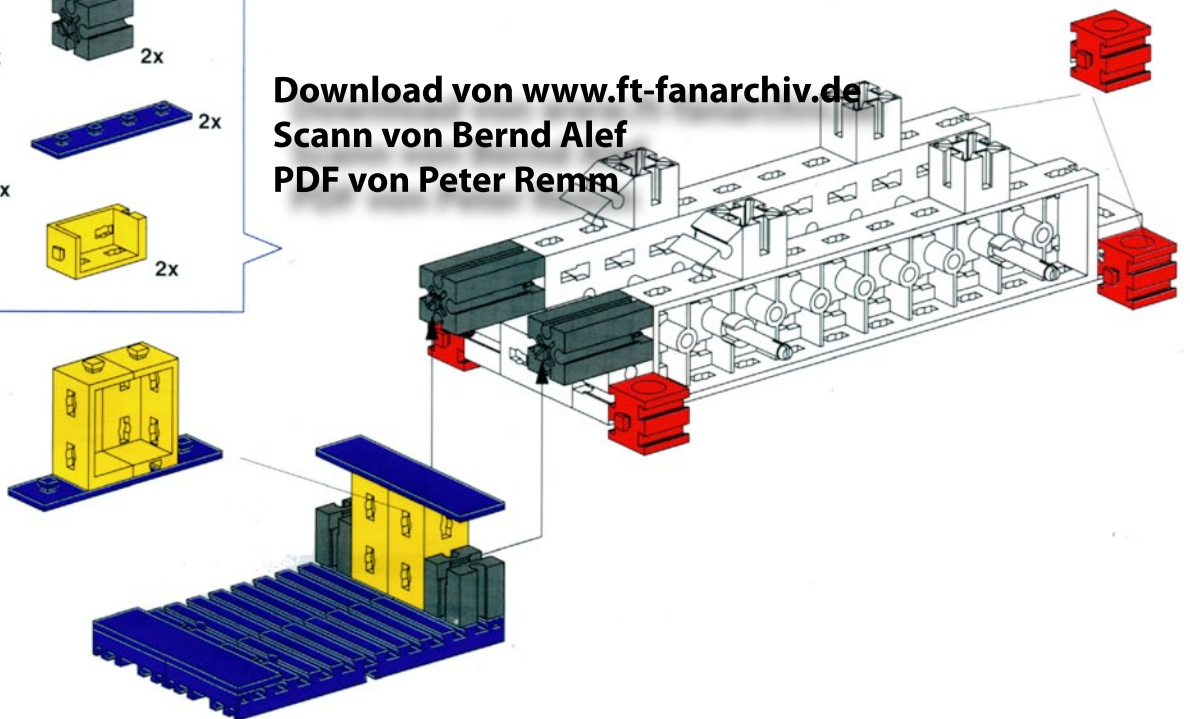


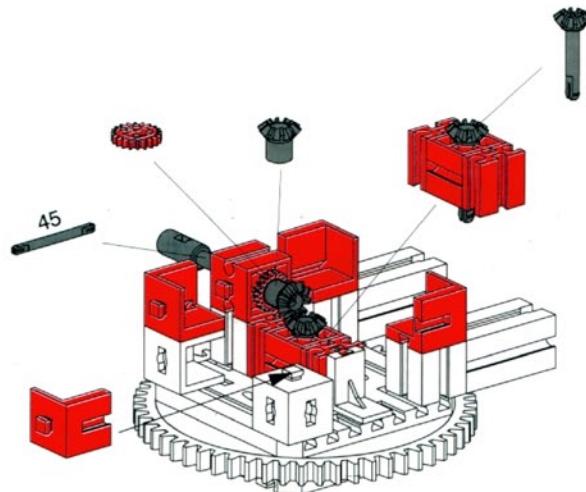
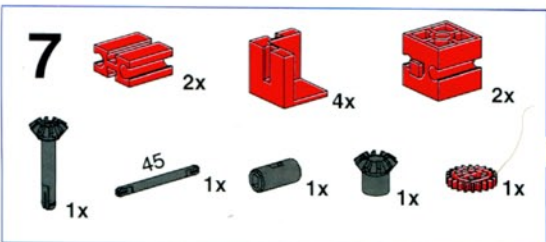
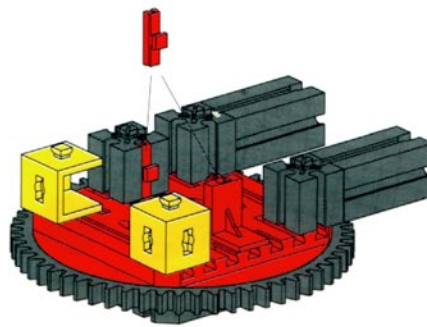
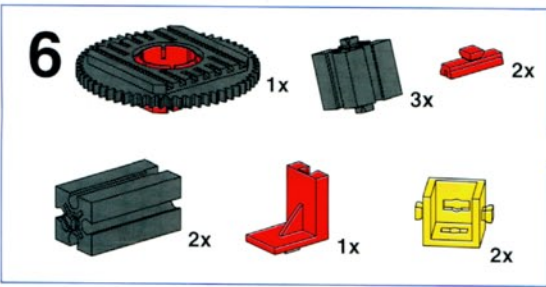
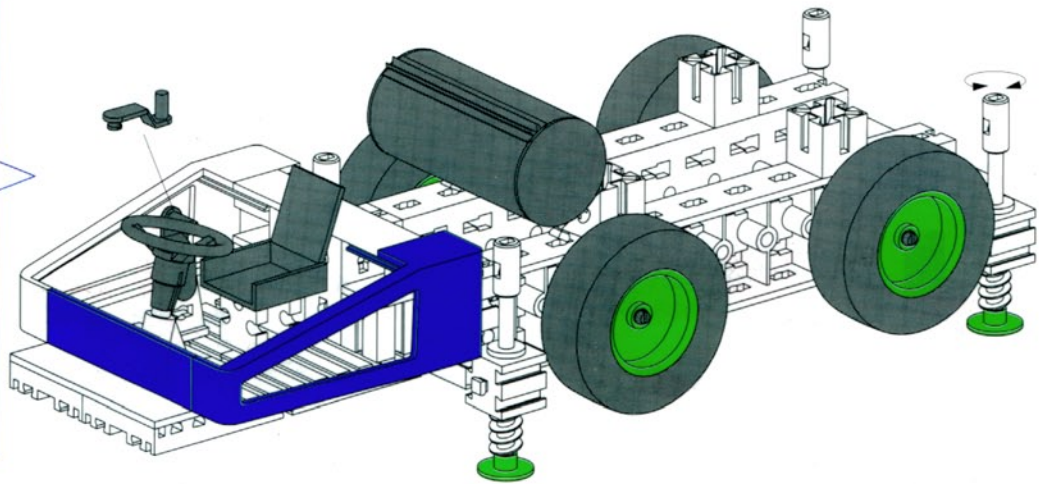
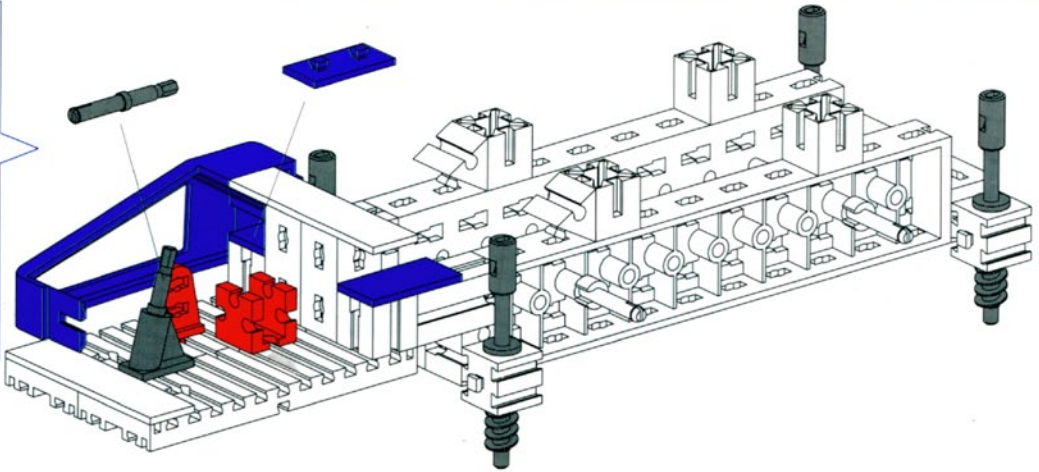
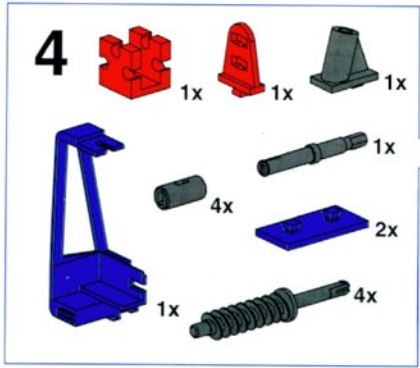
- **Alle Einzelteile, insbesondere bewegliche Teile sind falls notwendig zu warten und zu reinigen.**
- All components, especially moving parts, should be maintained and cleaned as necessary.
- Toutes les pièces détachées et en particulier les pièces mobiles, sont, si nécessaire, à entretenir et à nettoyer.
- Alle onderdelen, vooral de bewegende delen, kunnen, indien noodzakelijk, onderhouden en gereinigd worden.
- Es necesario limpiar y mantener en buen estado todas las diferentes piezas – especialmente las piezas móviles.
- Provvedere all'occorrenza alla manutenzione e alla pulizia di tutti i particolari, specialmente le parti mobili.

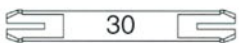
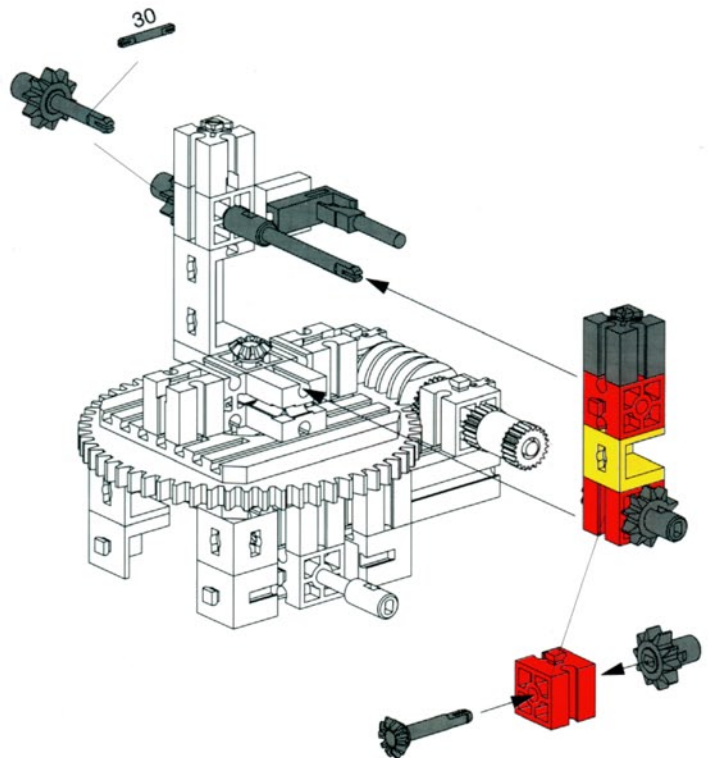
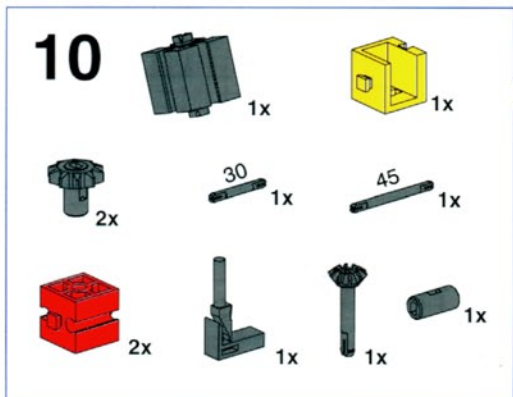
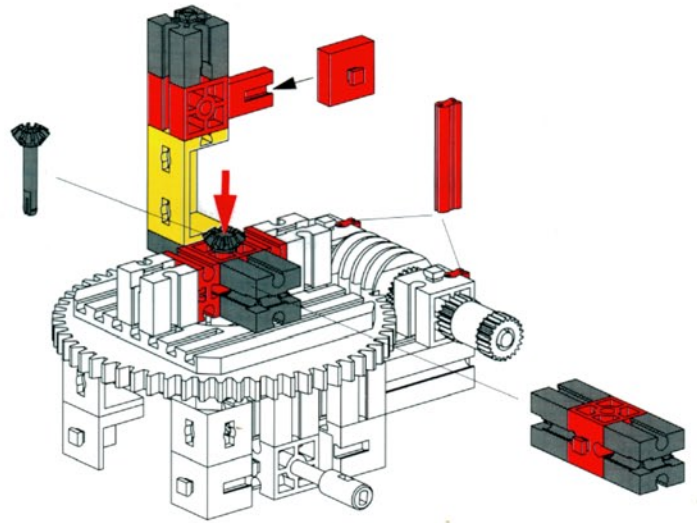
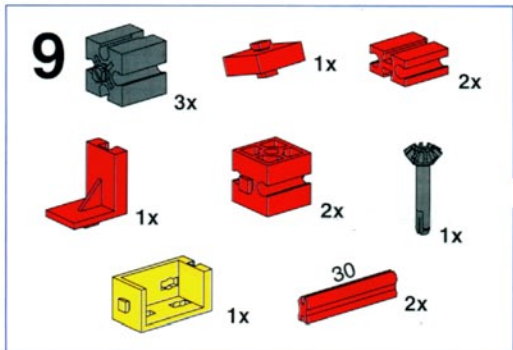
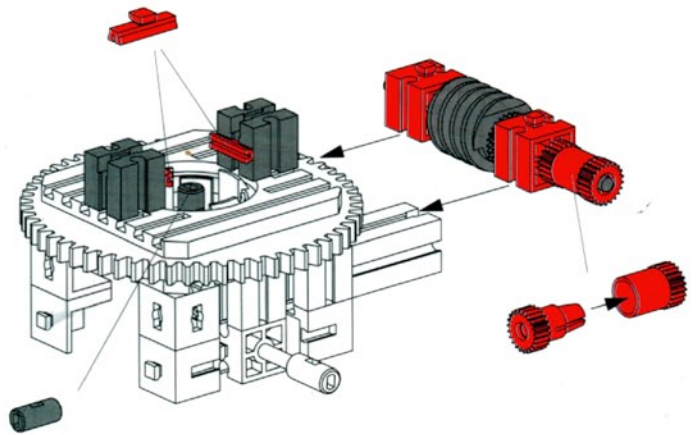
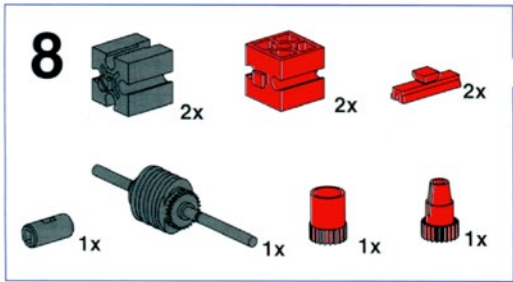
# Space observer truck



Download von [www.ft-fanarchiv.de](http://www.ft-fanarchiv.de)  
 Scann von Bernd Alef  
 PDF von Peter Remm







11



2x



2x



2x



2x



2x



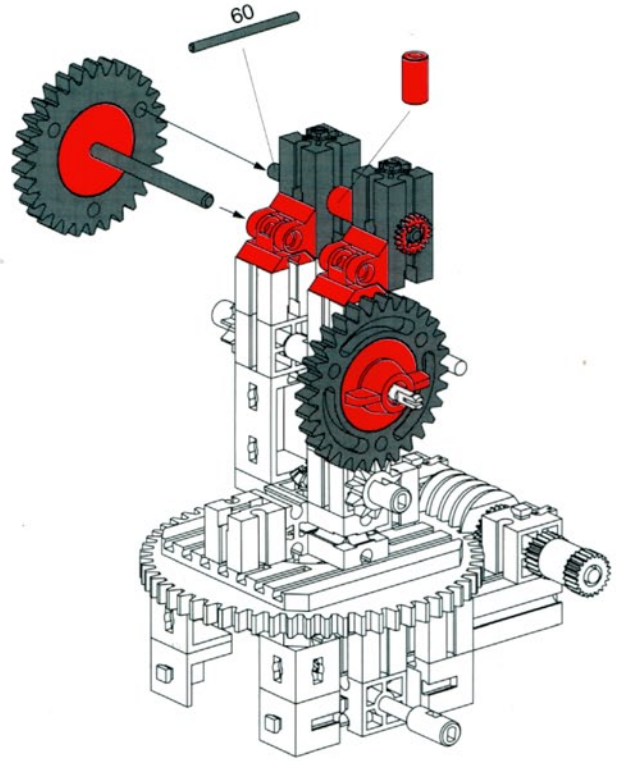
2x



1x



1x



12



1x



1x

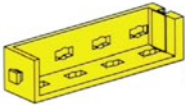


4

4x



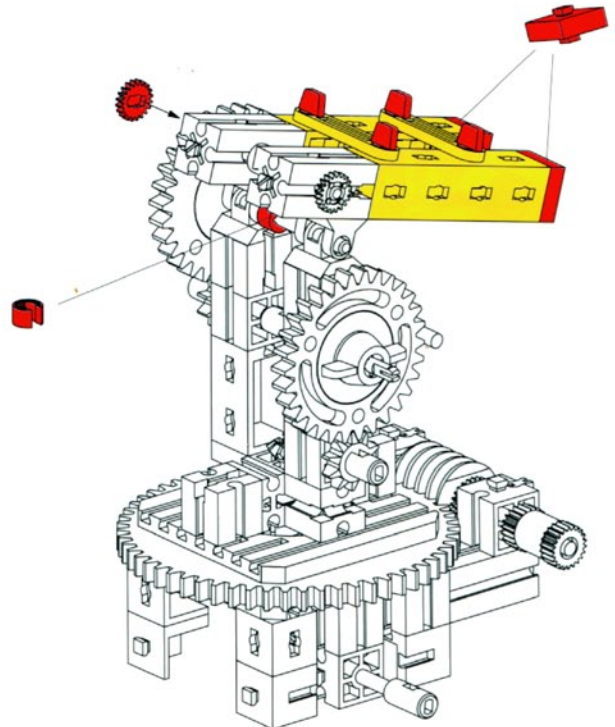
2x



2x



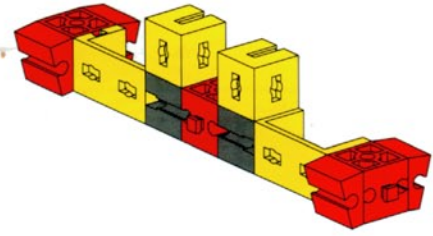
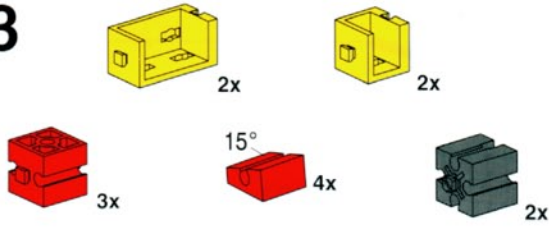
2x



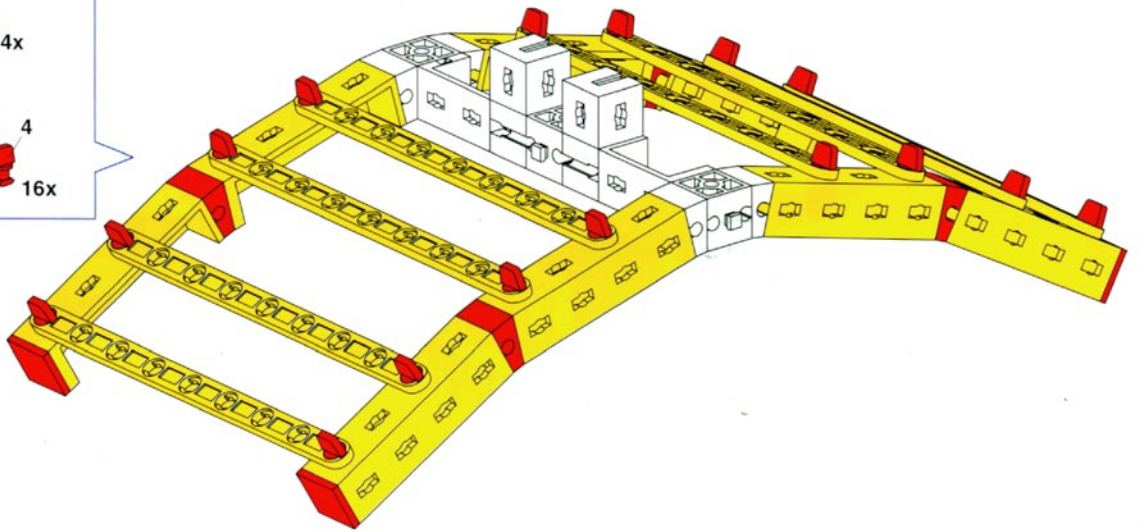
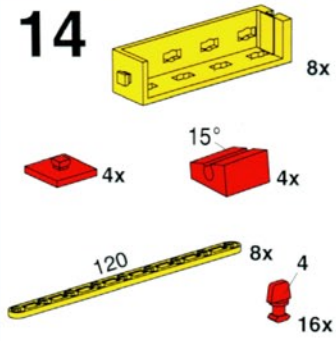
60



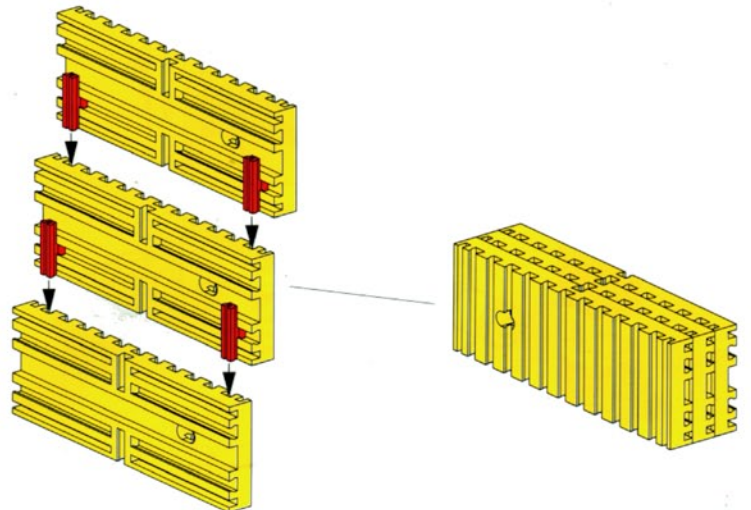
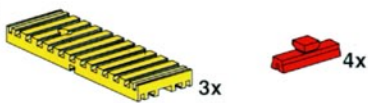
13



14

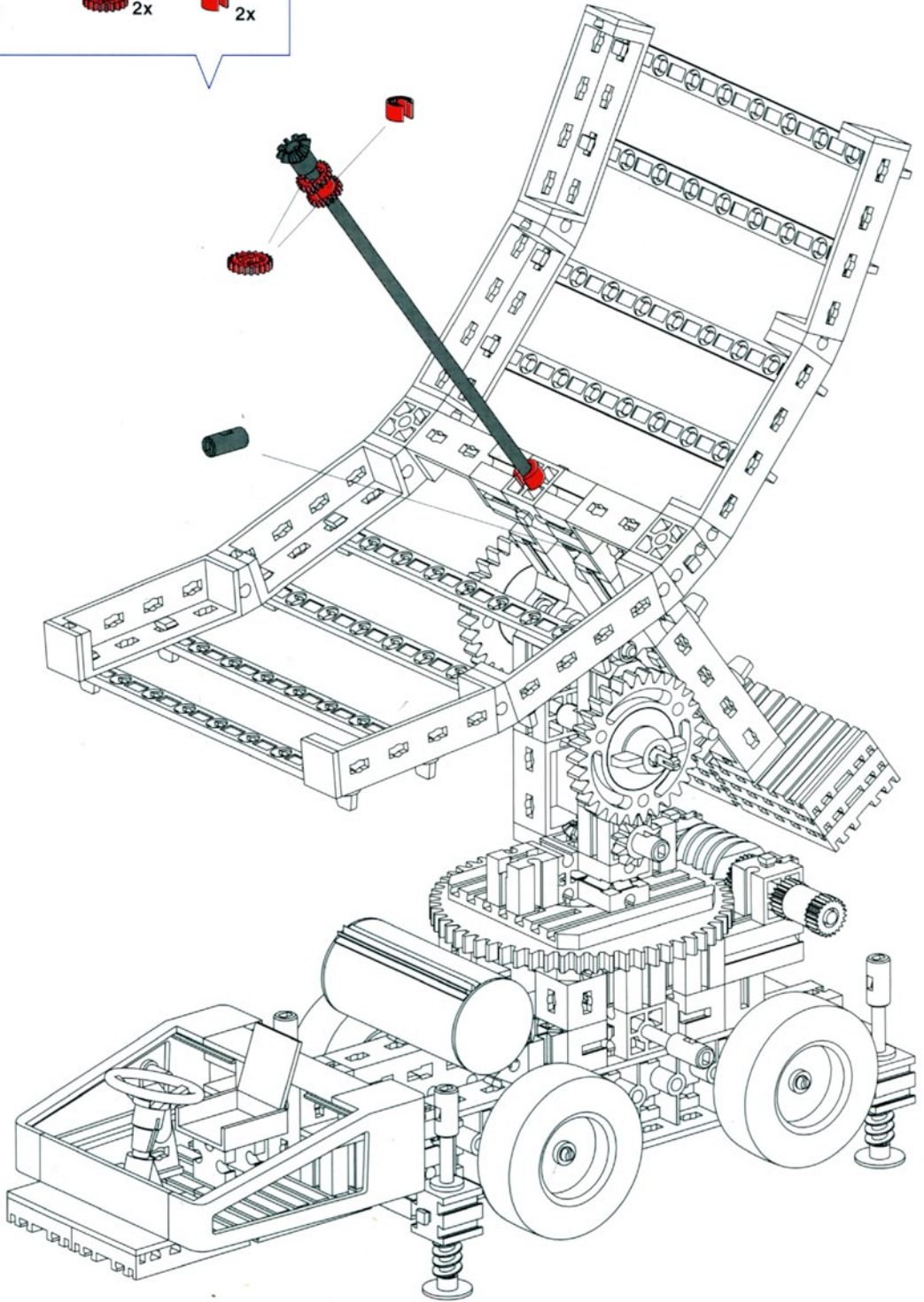


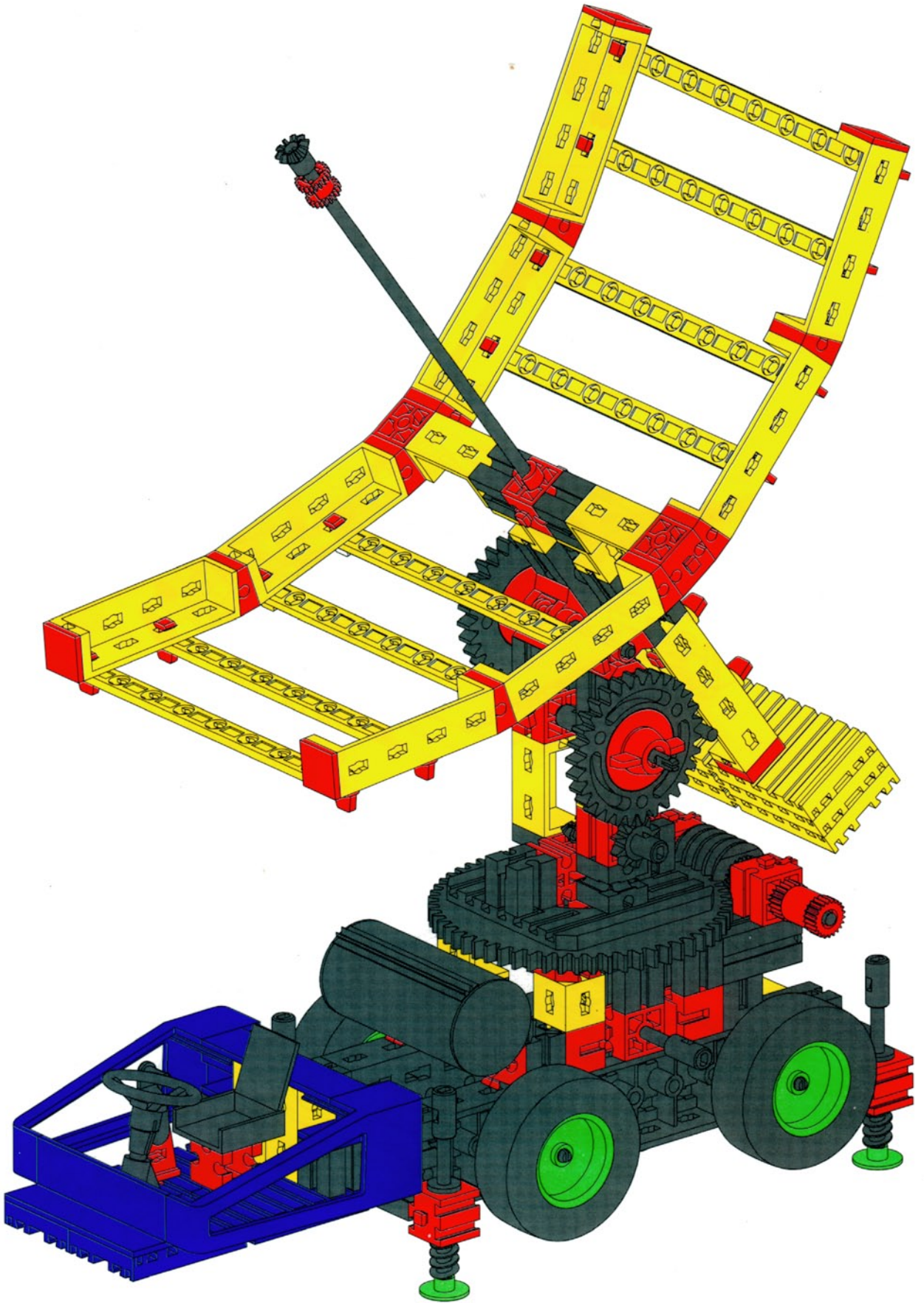
15



16

- 180 1x
- 1x
- 1x
- 2x
- 2x



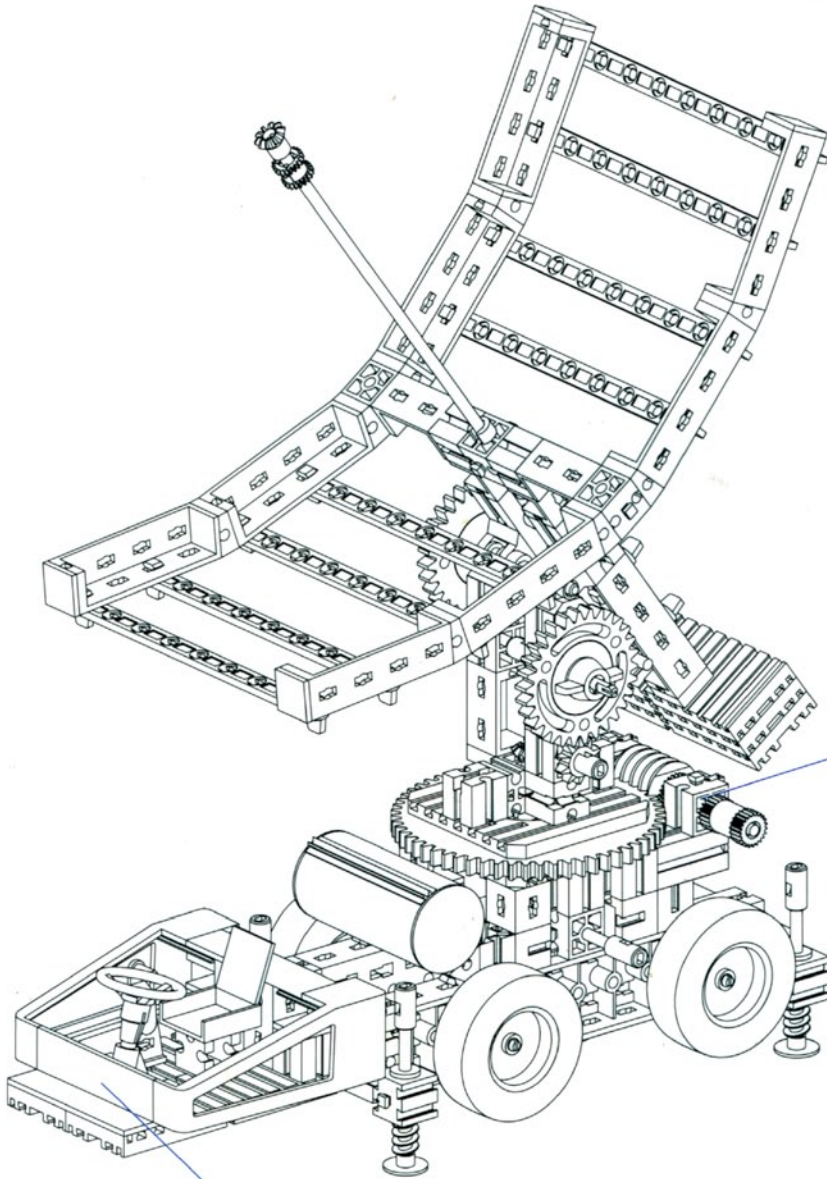


**Beleuchtung**  
 Illumination  
 Éclairage

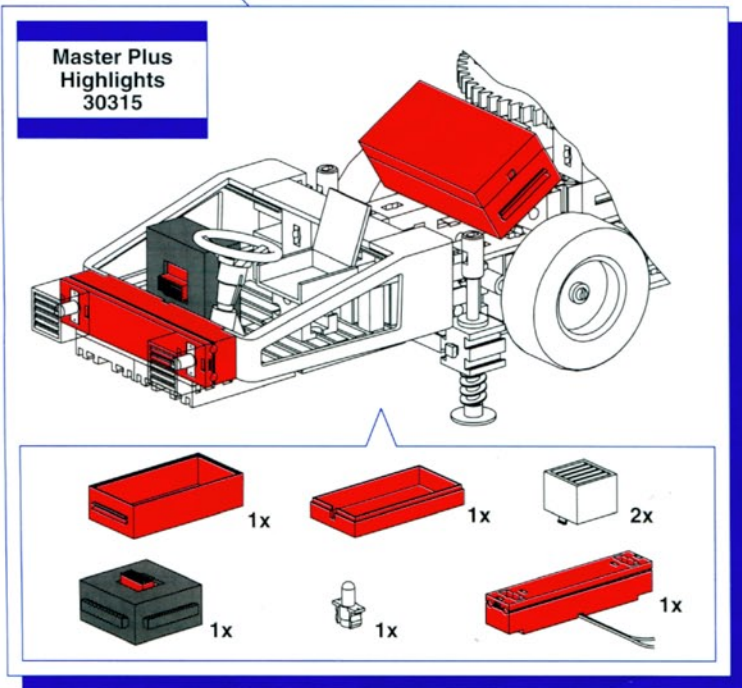
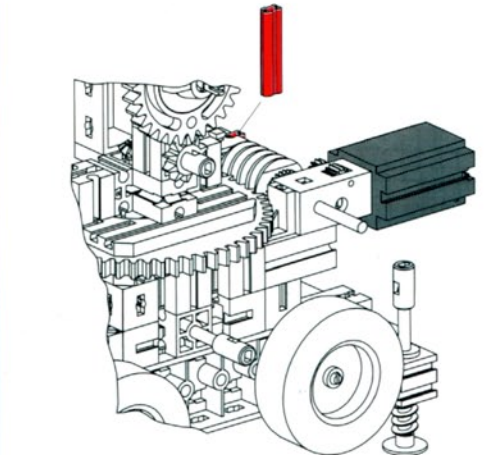
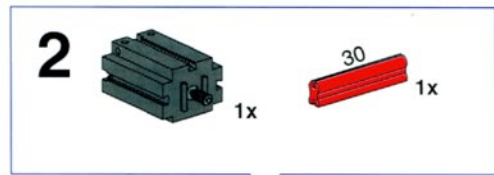
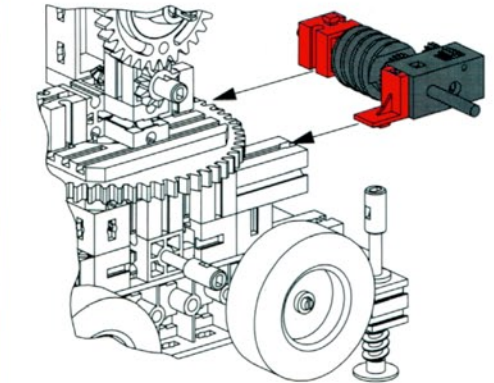
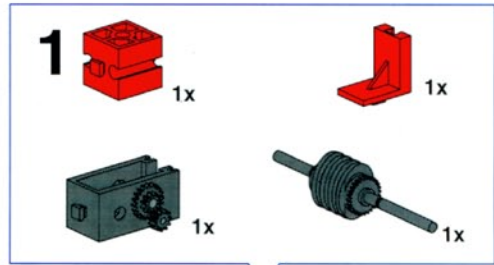
**Verlichting**  
 Iluminación  
 Illuminazione

**Motorisierung**  
 Motor unit  
 Motorisation

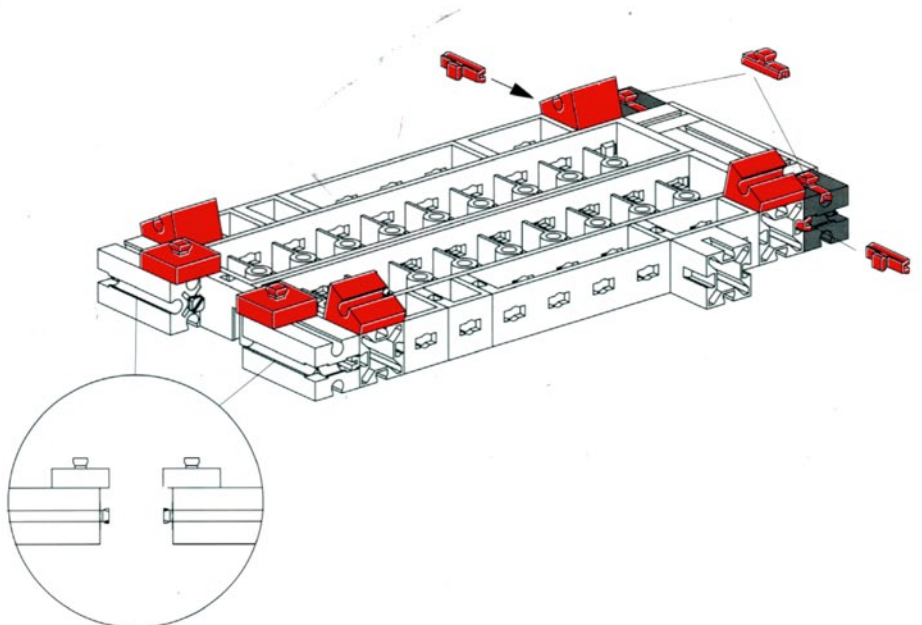
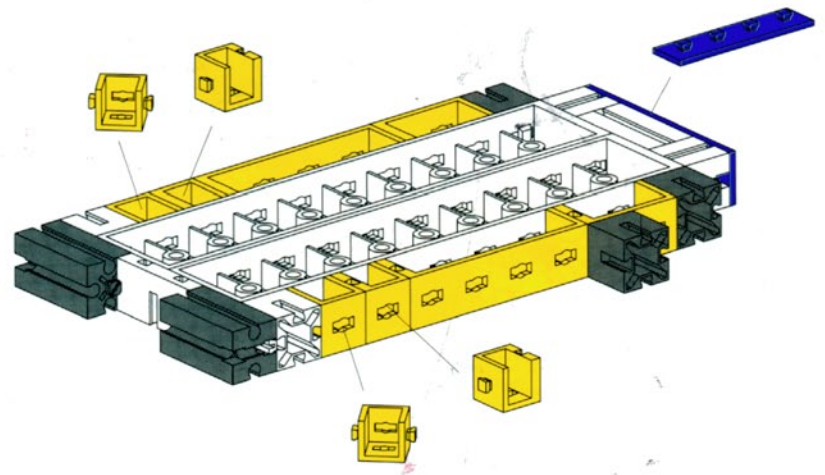
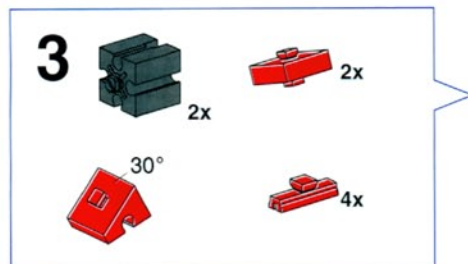
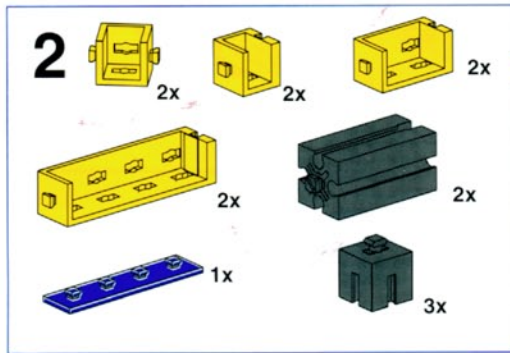
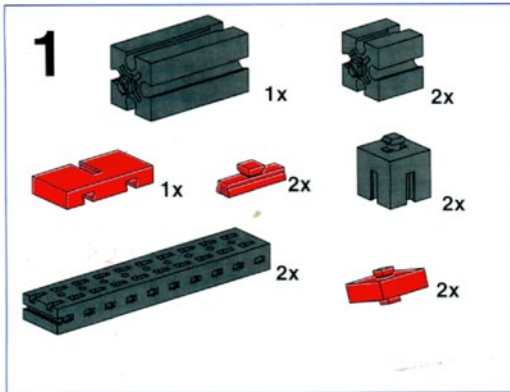
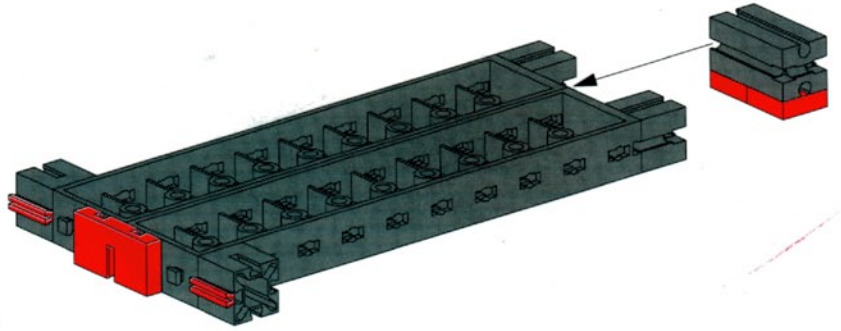
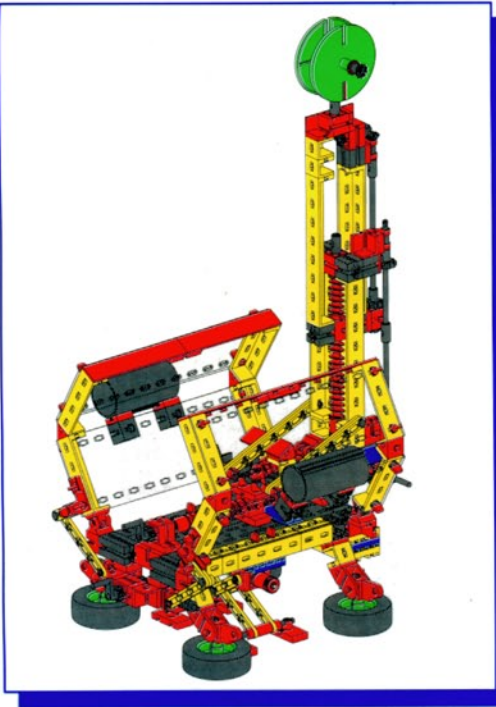
**Motorisring**  
 Motorización  
 Motorizzazione

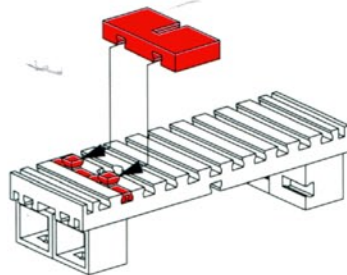
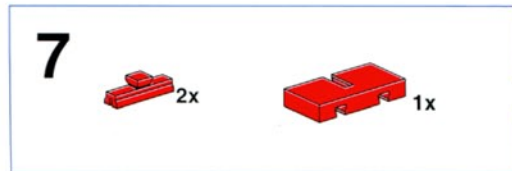
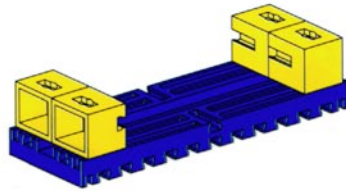
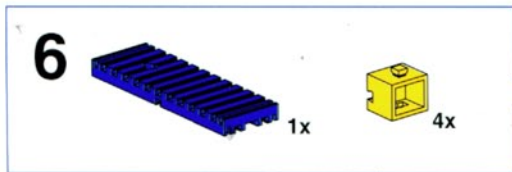
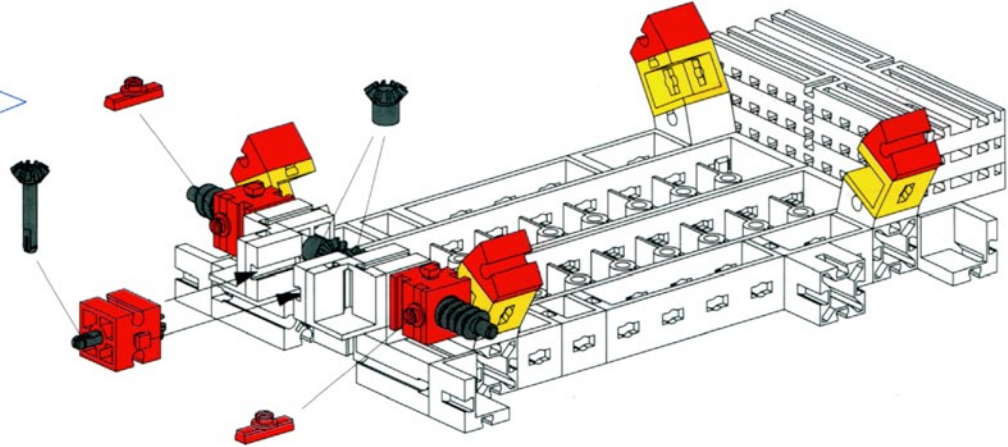
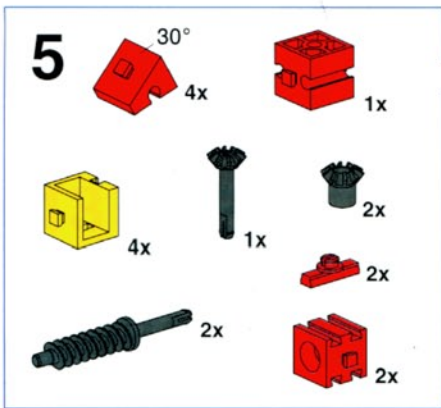
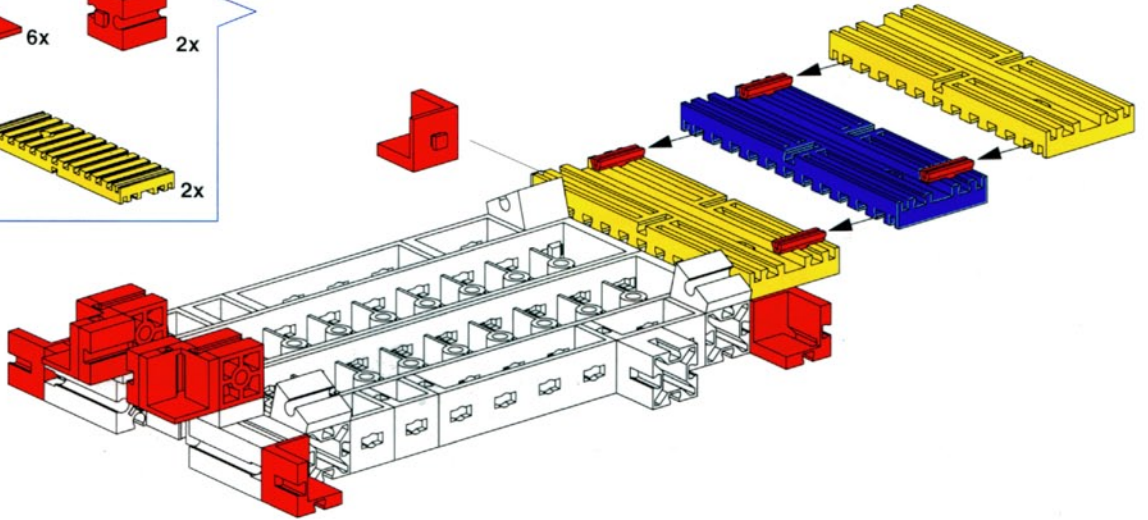
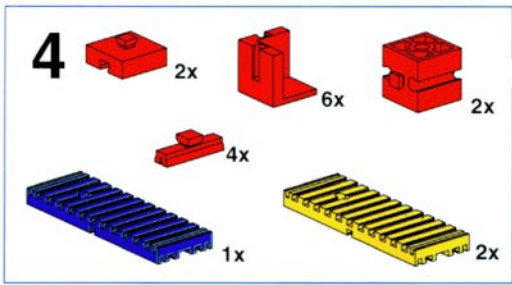


**Special S-Motor 30262** oder - or  
ou - of  
o - oppure **Master Plus Discovery Set 30299**

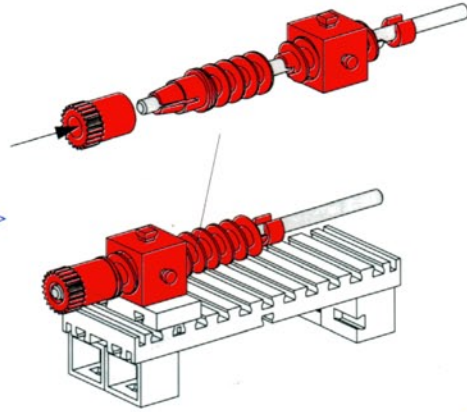
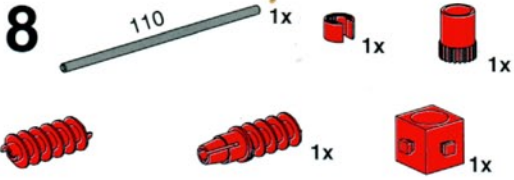


# Space observation center

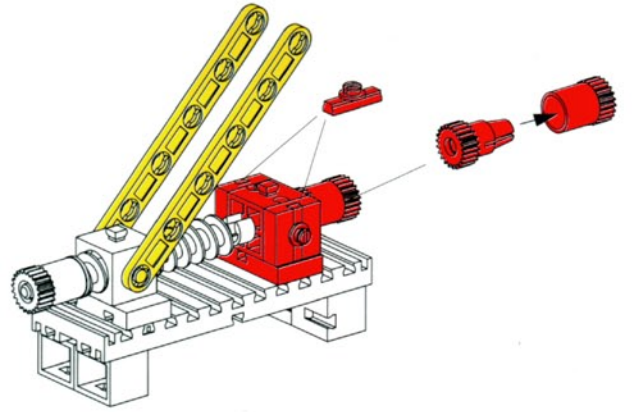
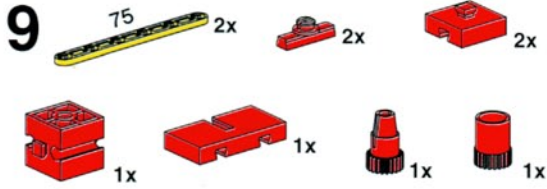




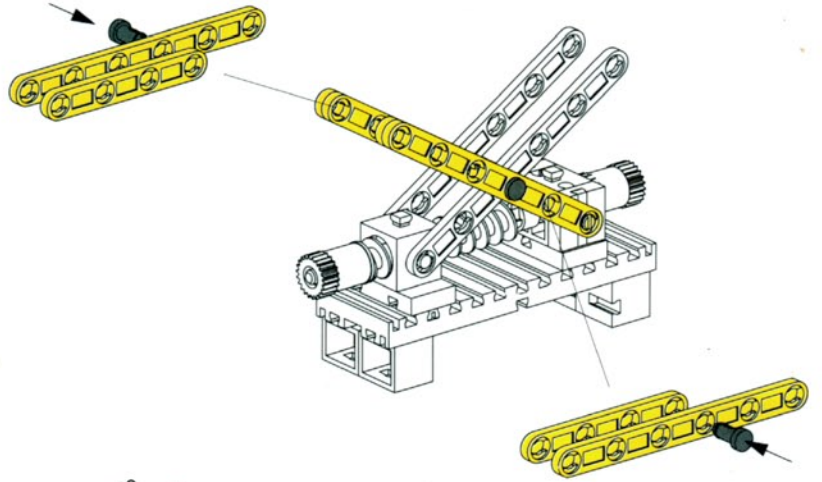
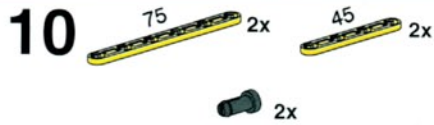
8



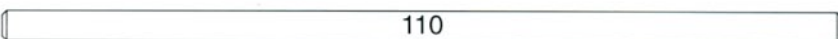
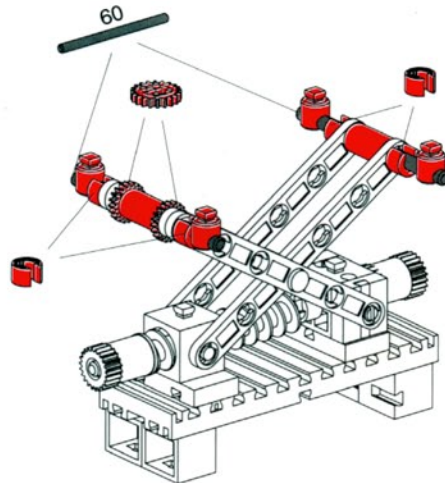
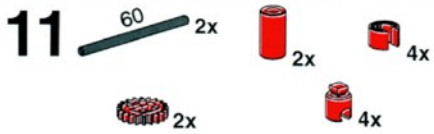
9



10



11



12



4

2x



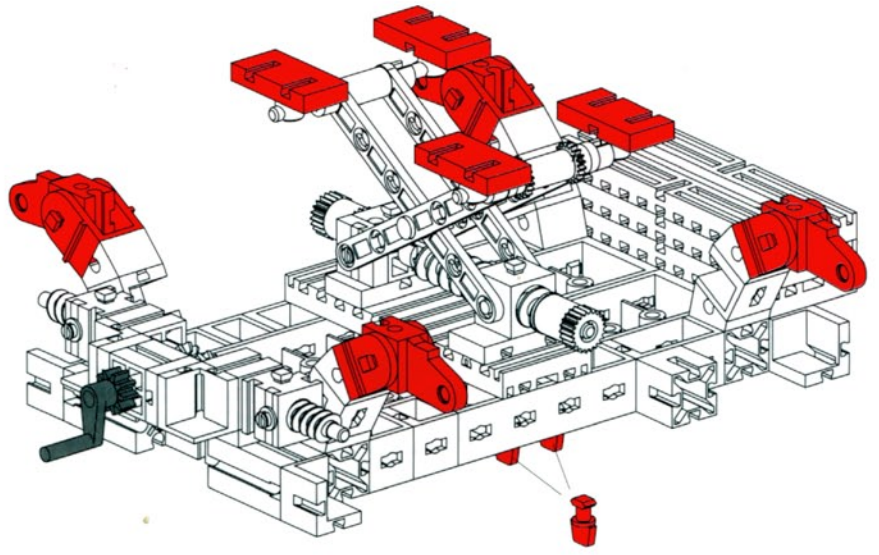
4x



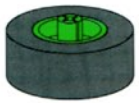
4x



1x



13



4x



3x



4x

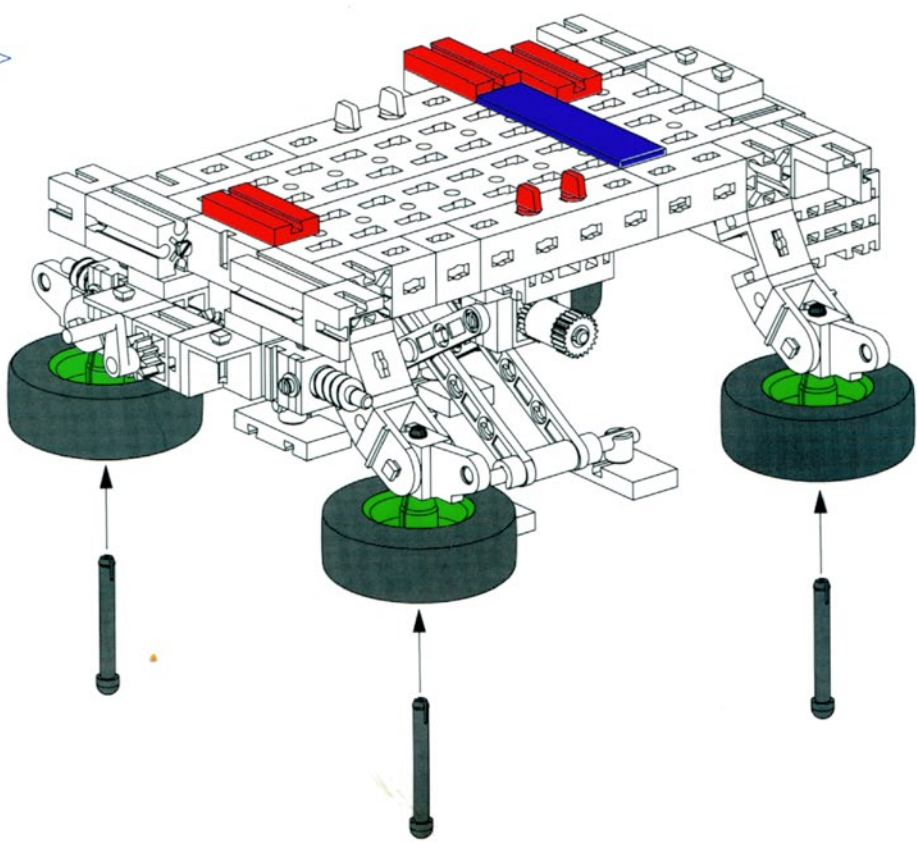


4

2x

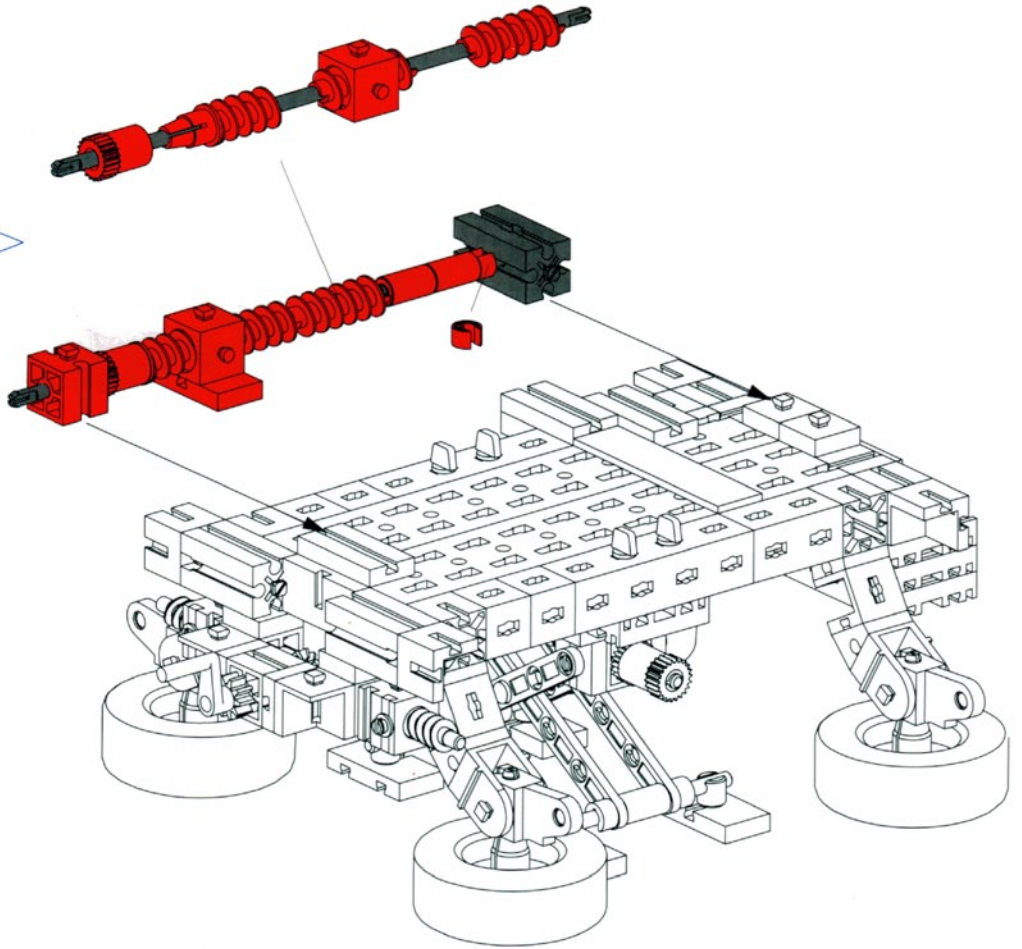
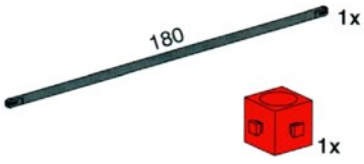
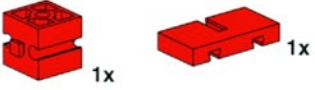
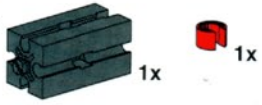


1x

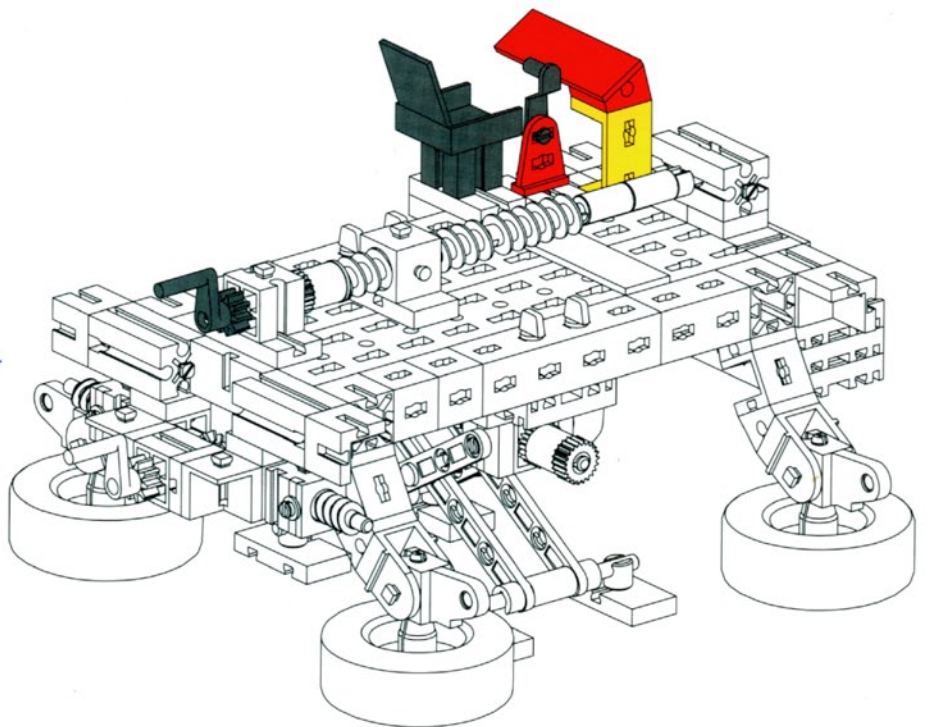
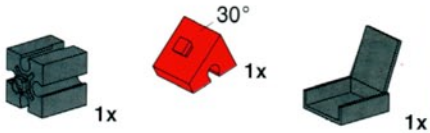
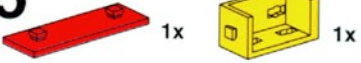




14

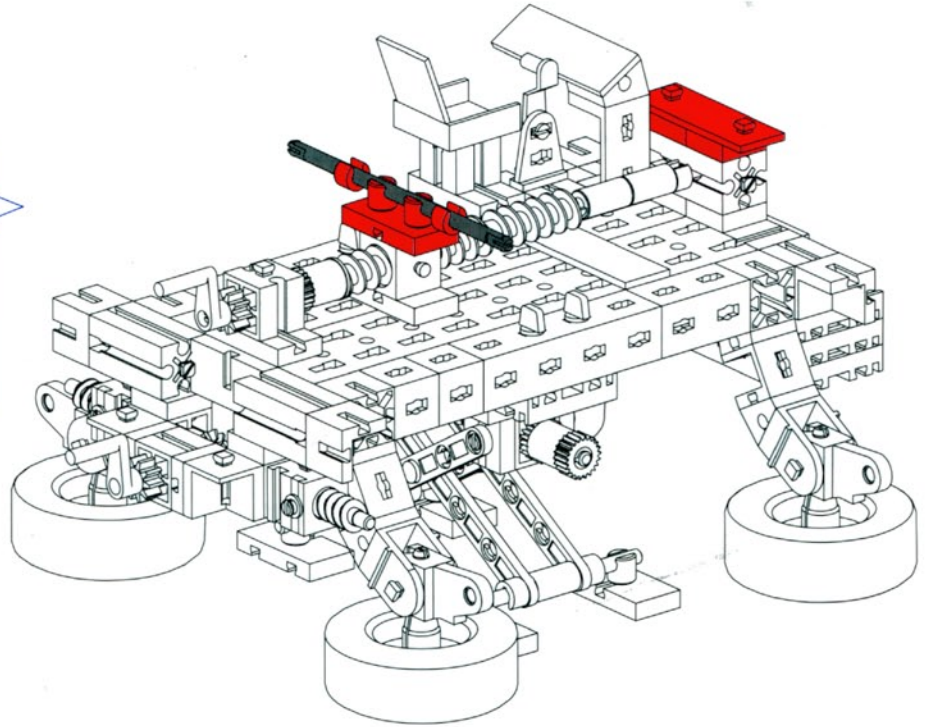
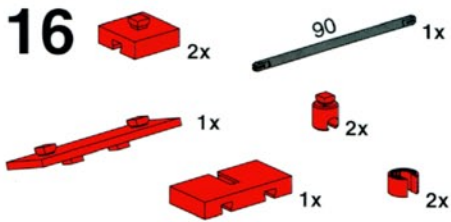


15

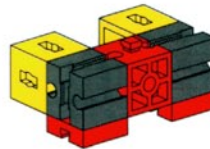
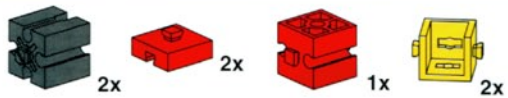


180

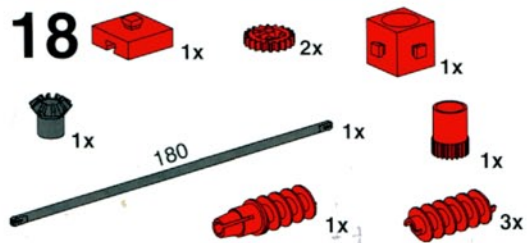
16



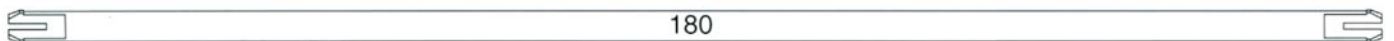
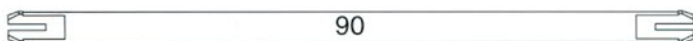
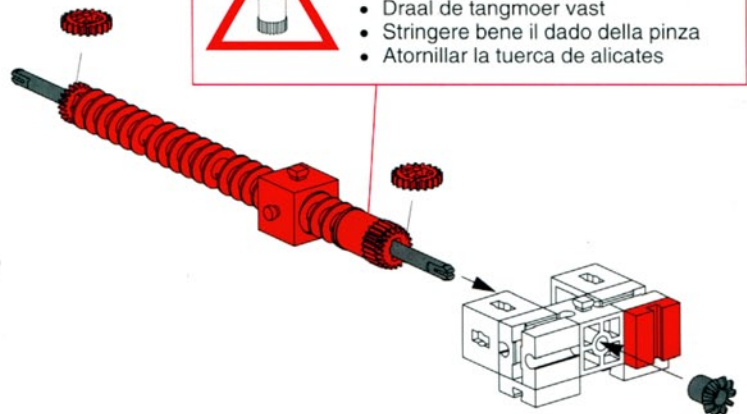
17

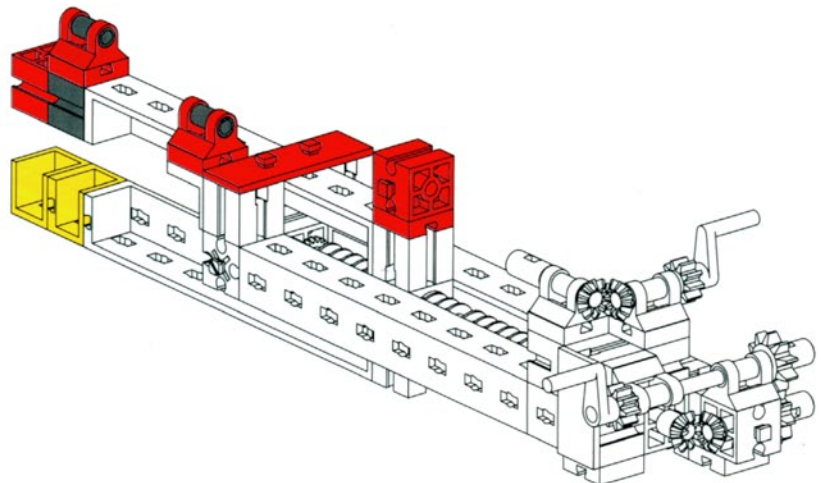
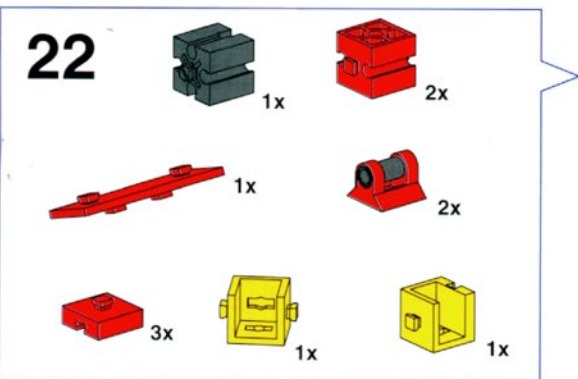
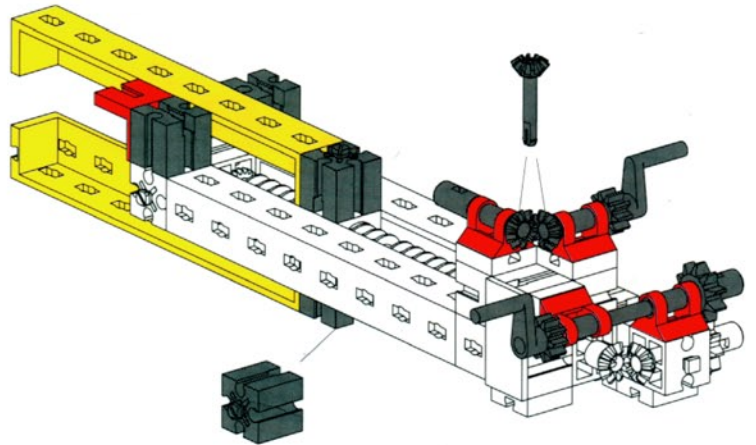
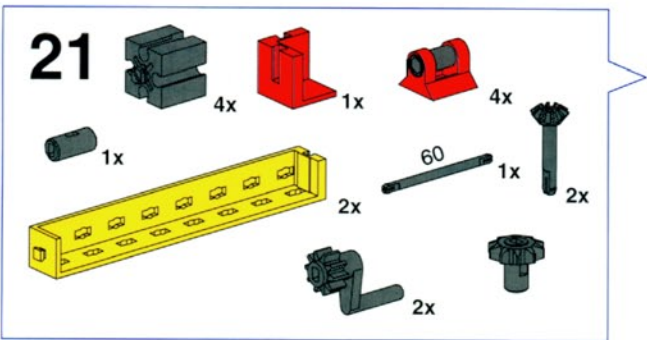
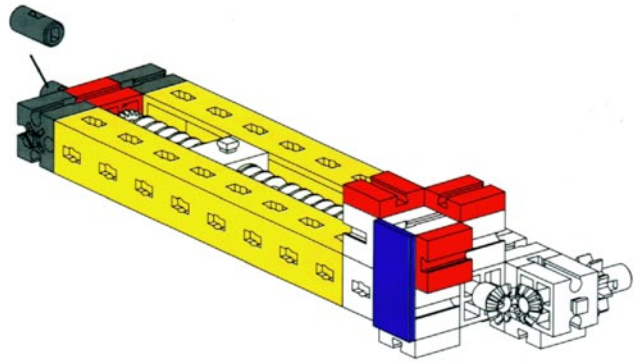
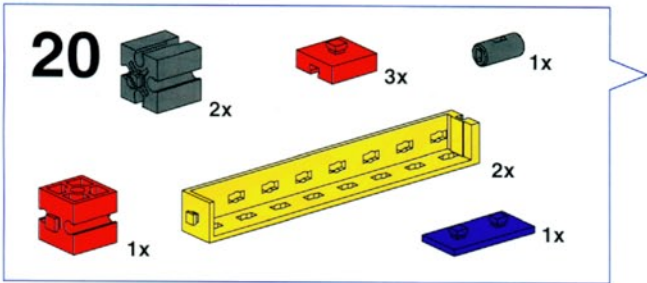
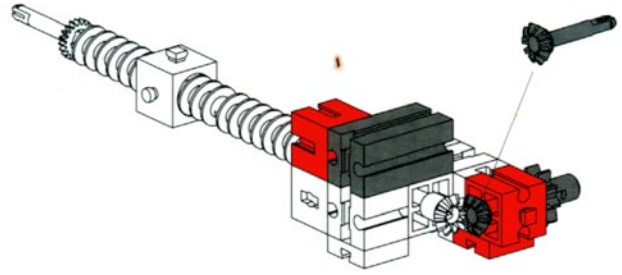
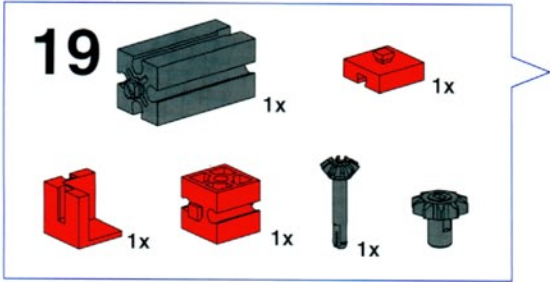


18

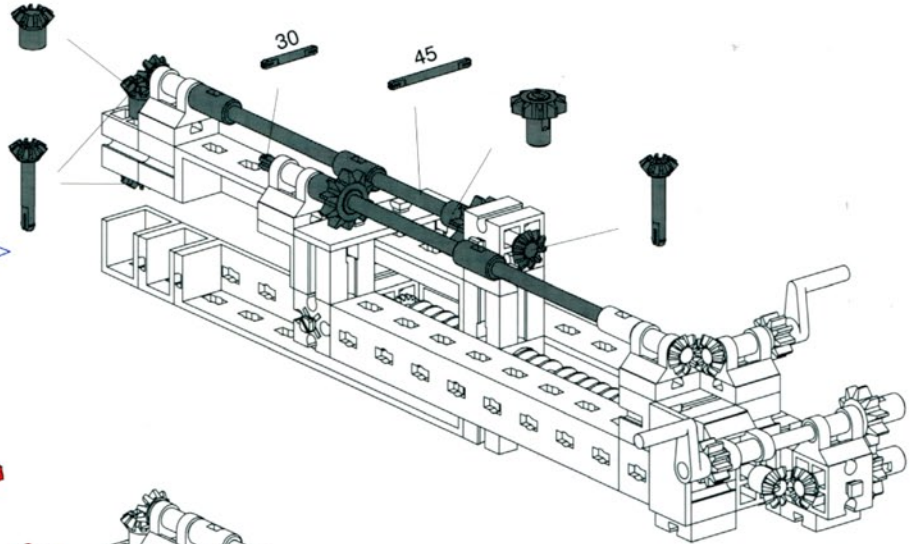
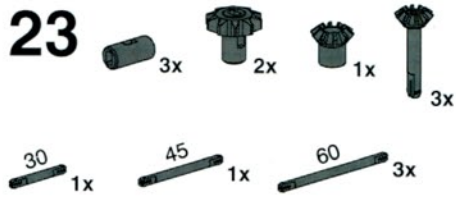


- **Zangenmutter festdrehen**
- Fasten the worm hub nut
- Serrer l'écrou-prince
- Draal de tangmoer vast
- Stringere bene il dado della pinza
- Atornillar la tuerca de alicates

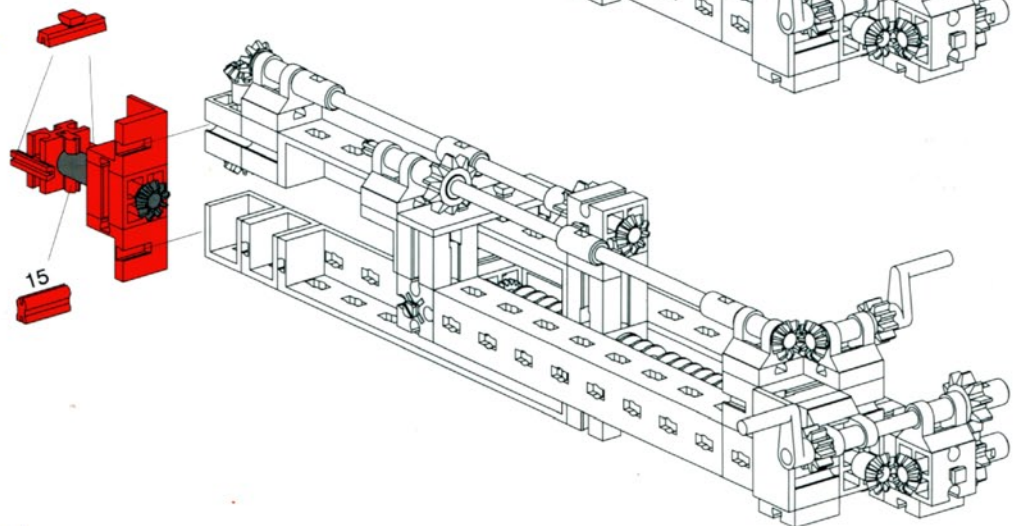
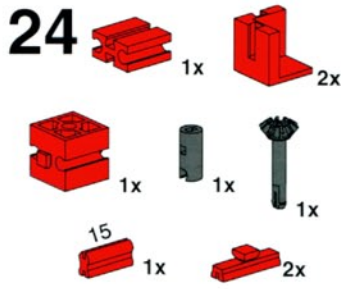




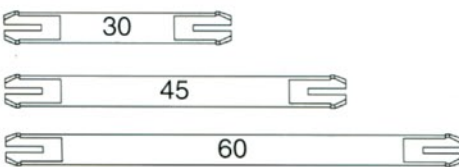
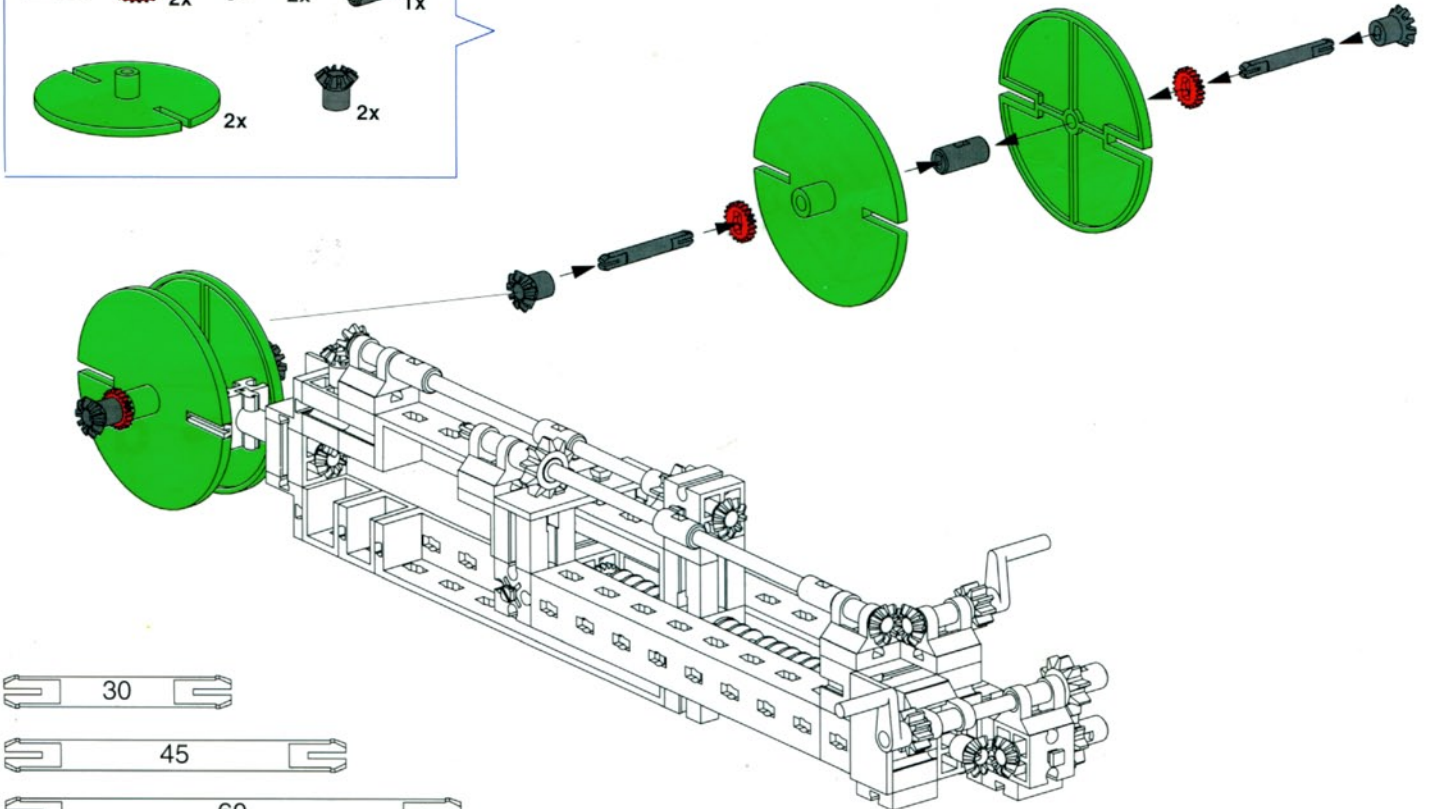
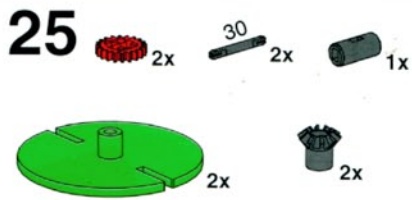
23



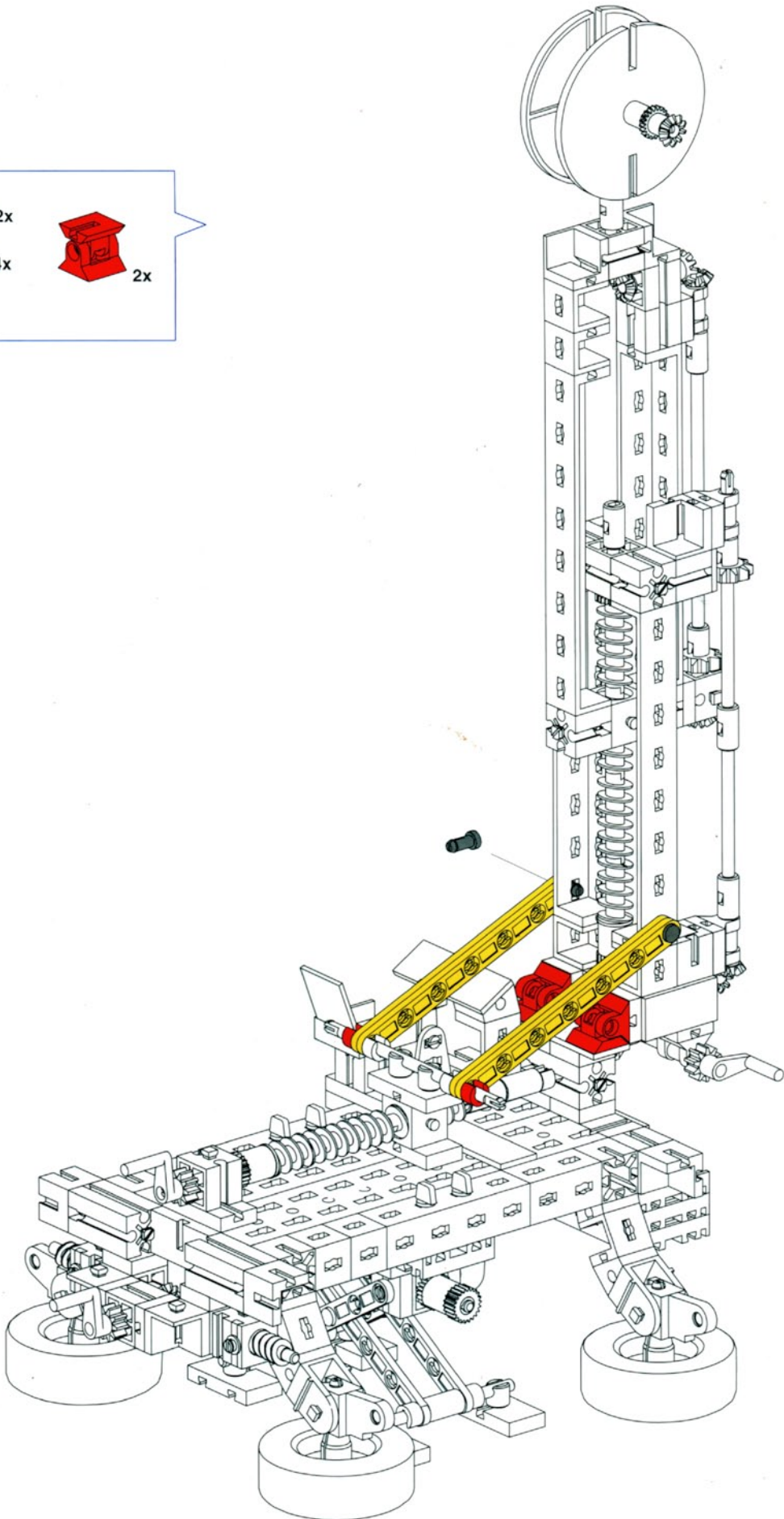
24

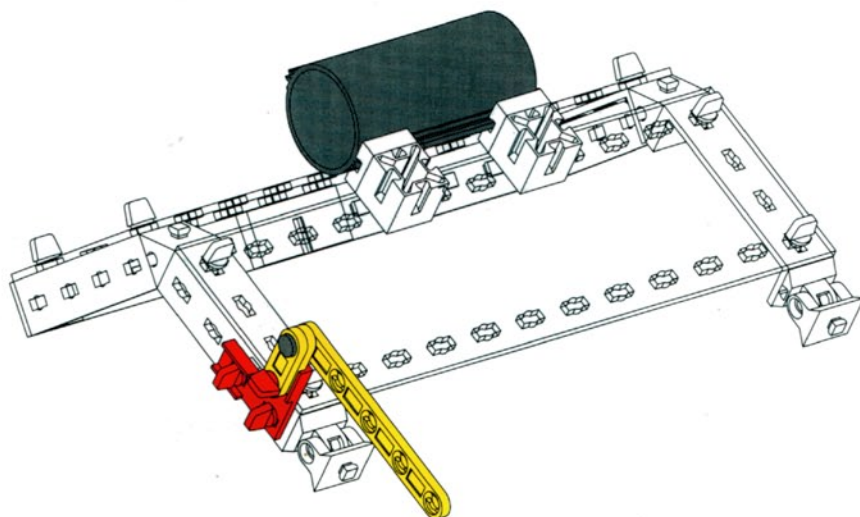
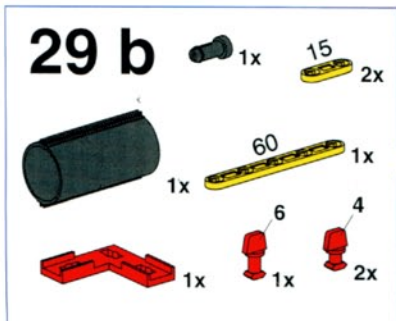
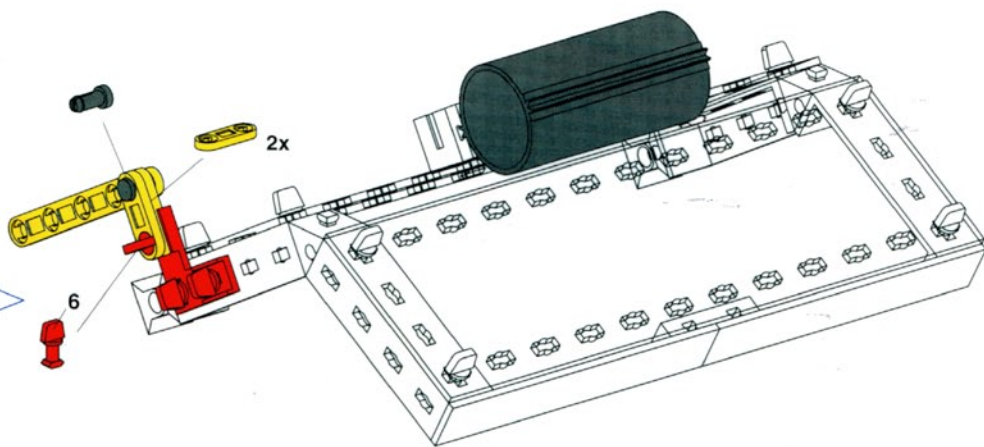
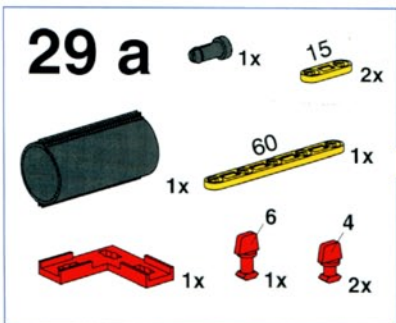
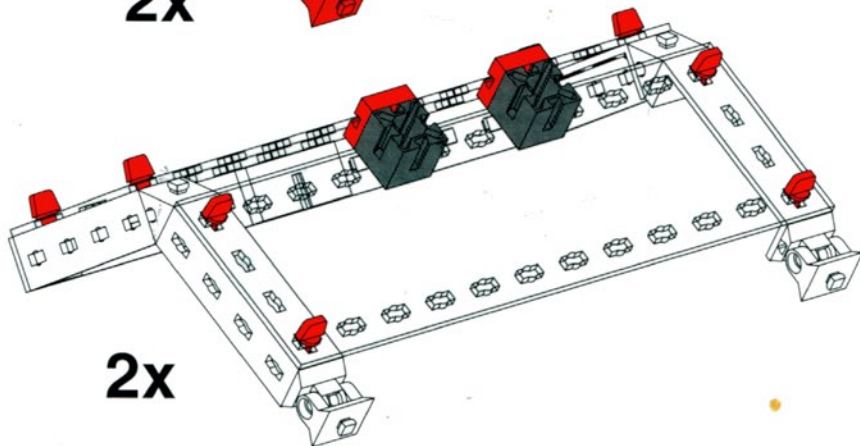
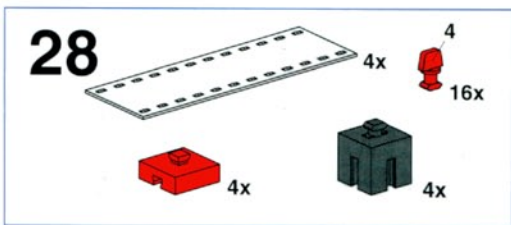
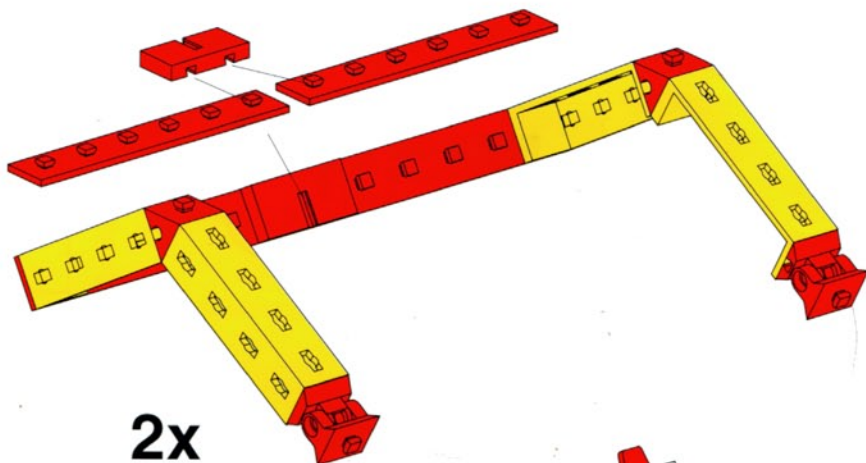
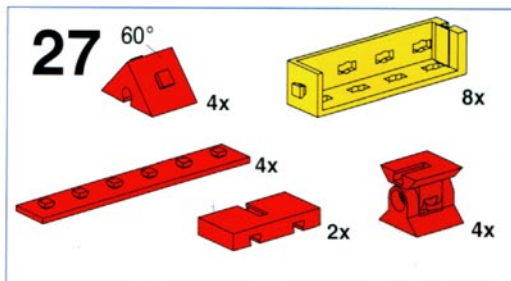


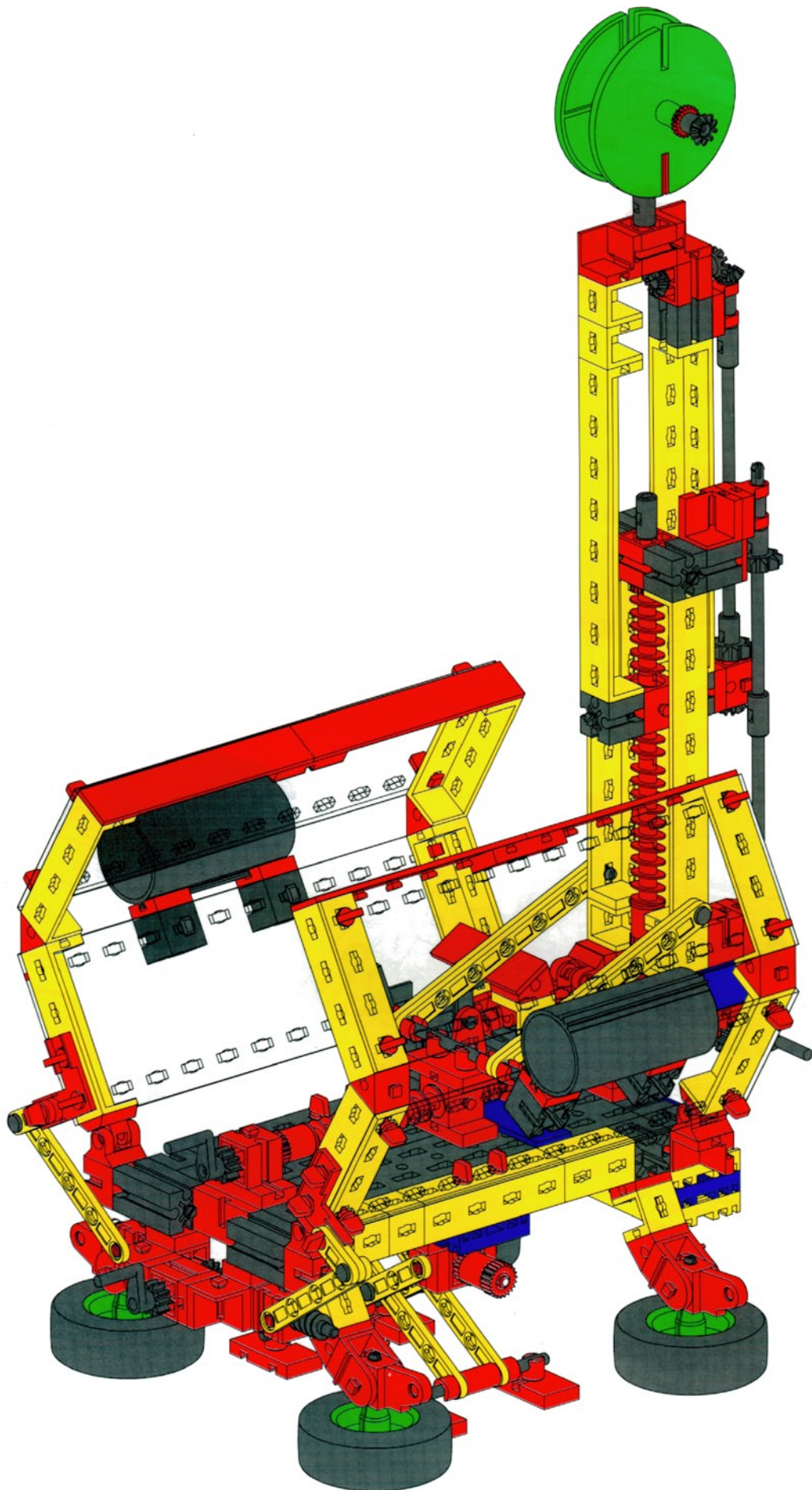
25

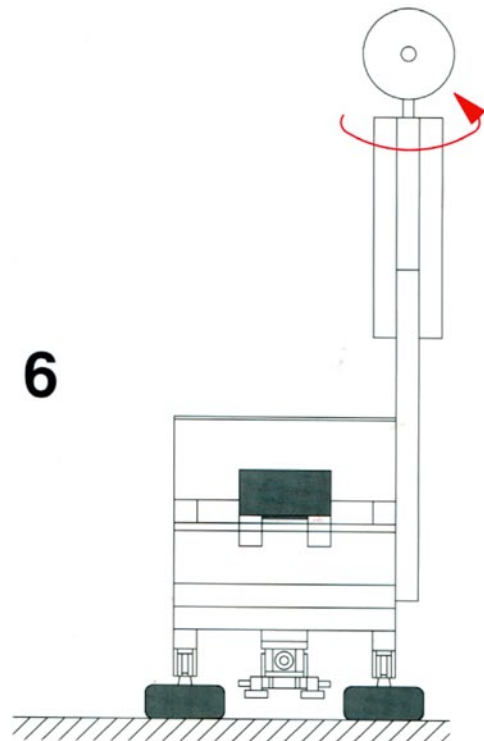
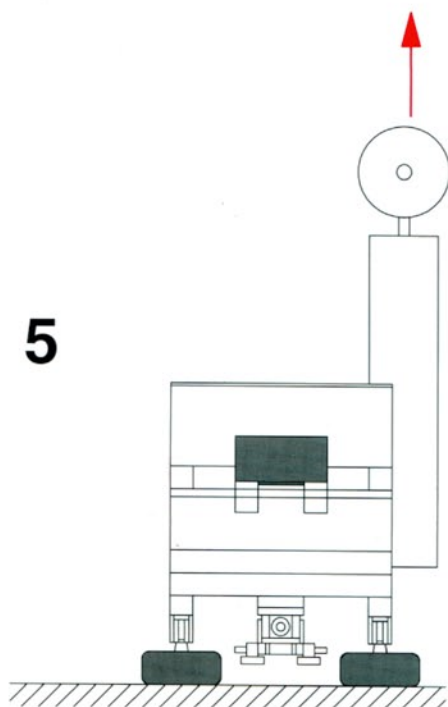
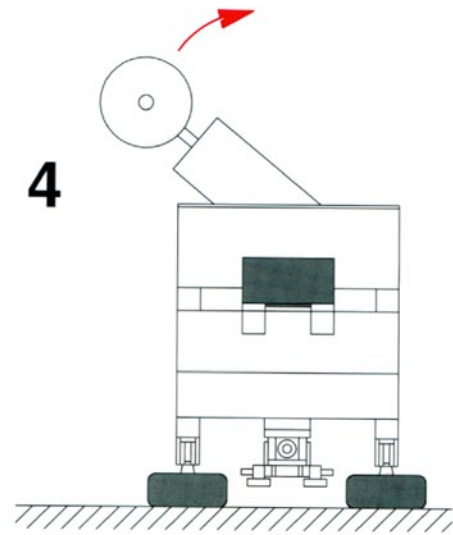
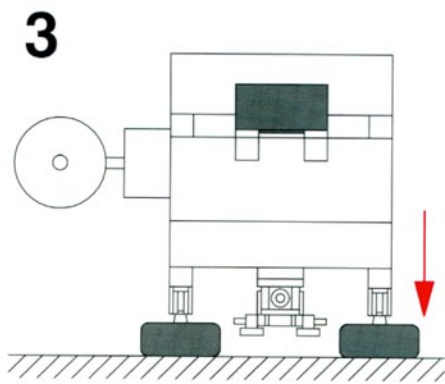
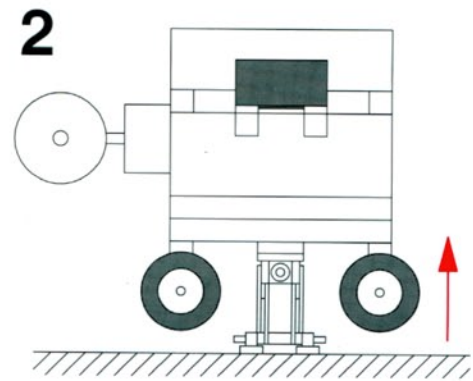
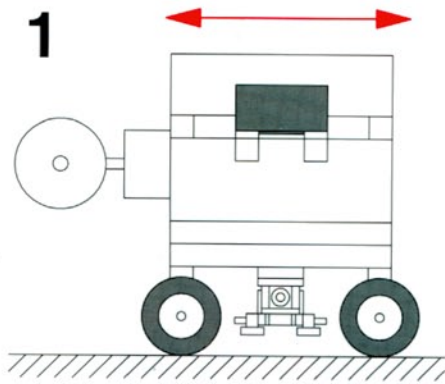


26



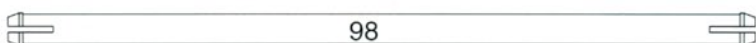
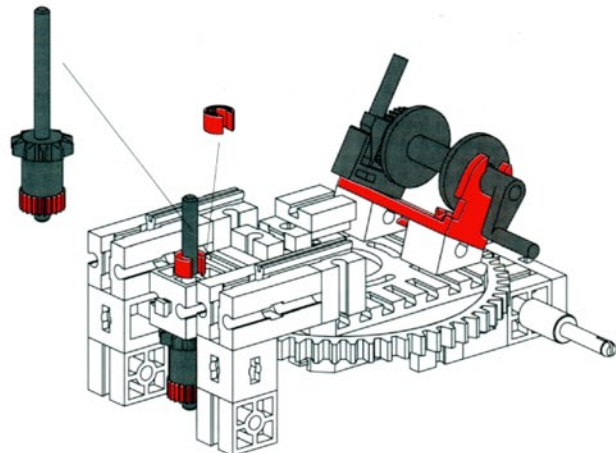
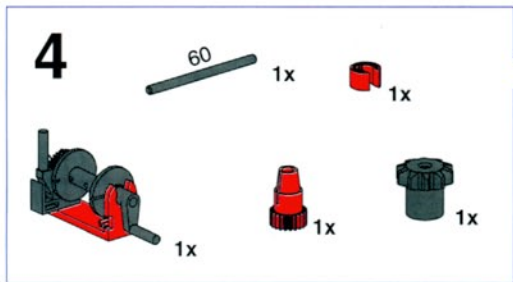
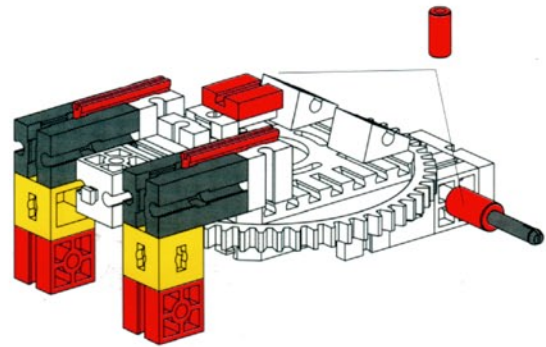
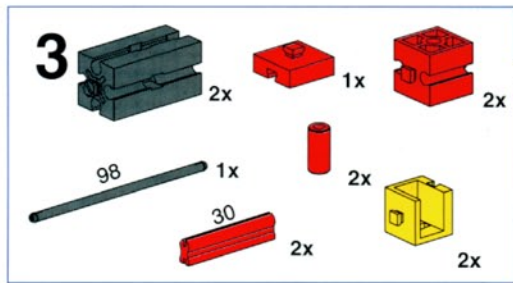
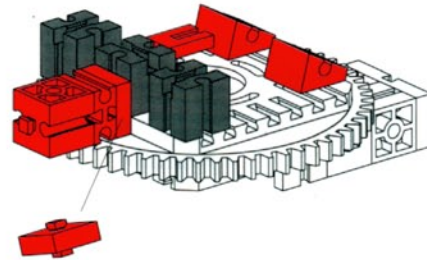
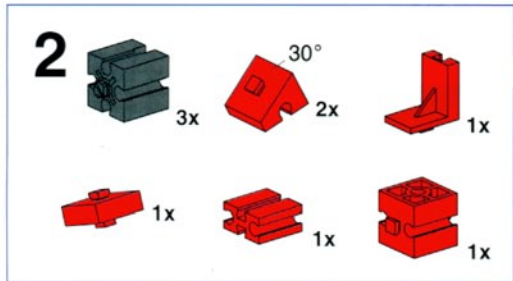
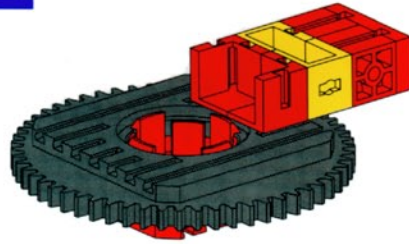
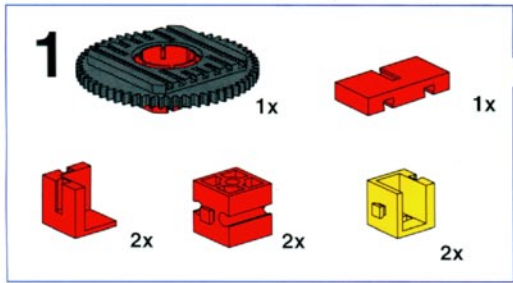
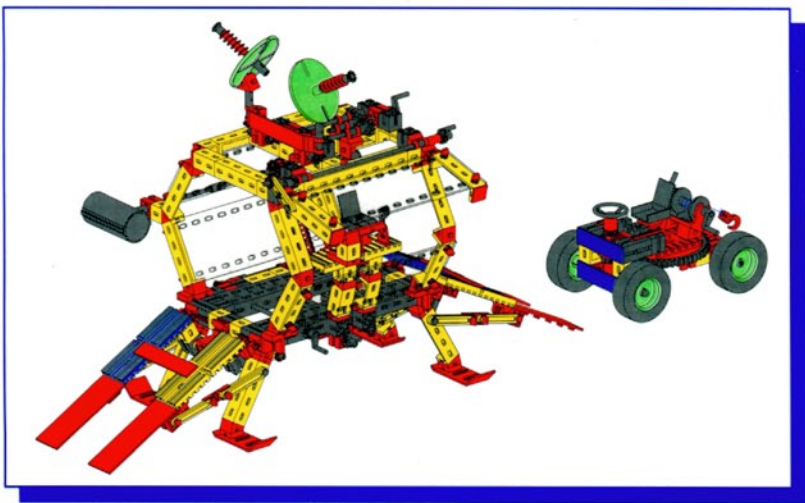


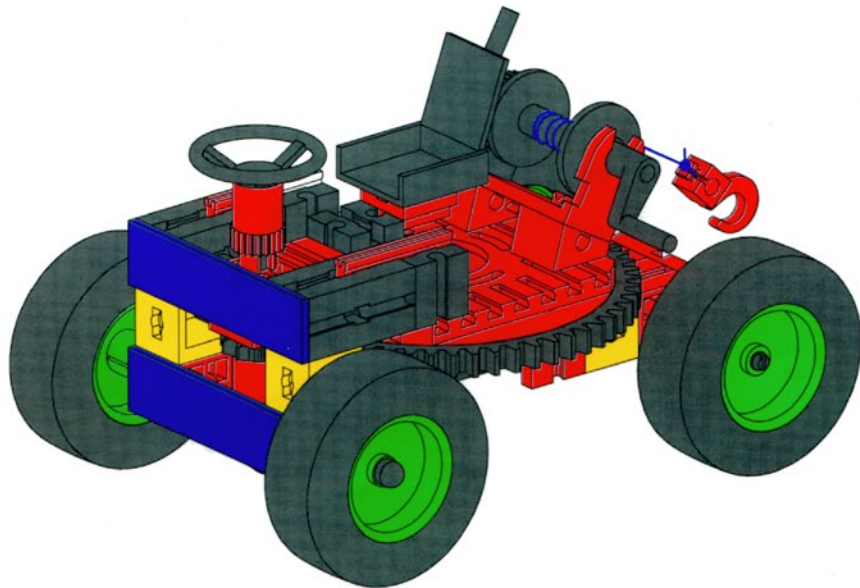
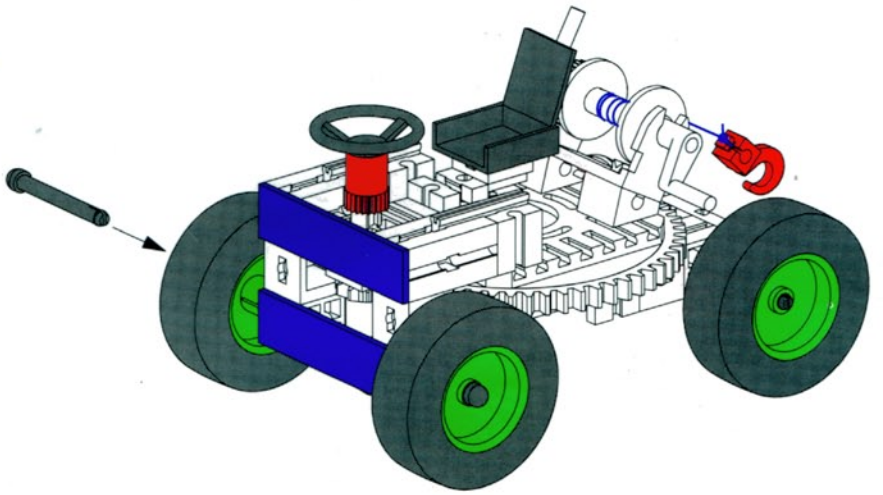
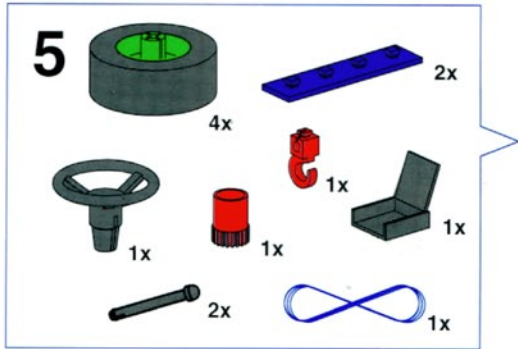


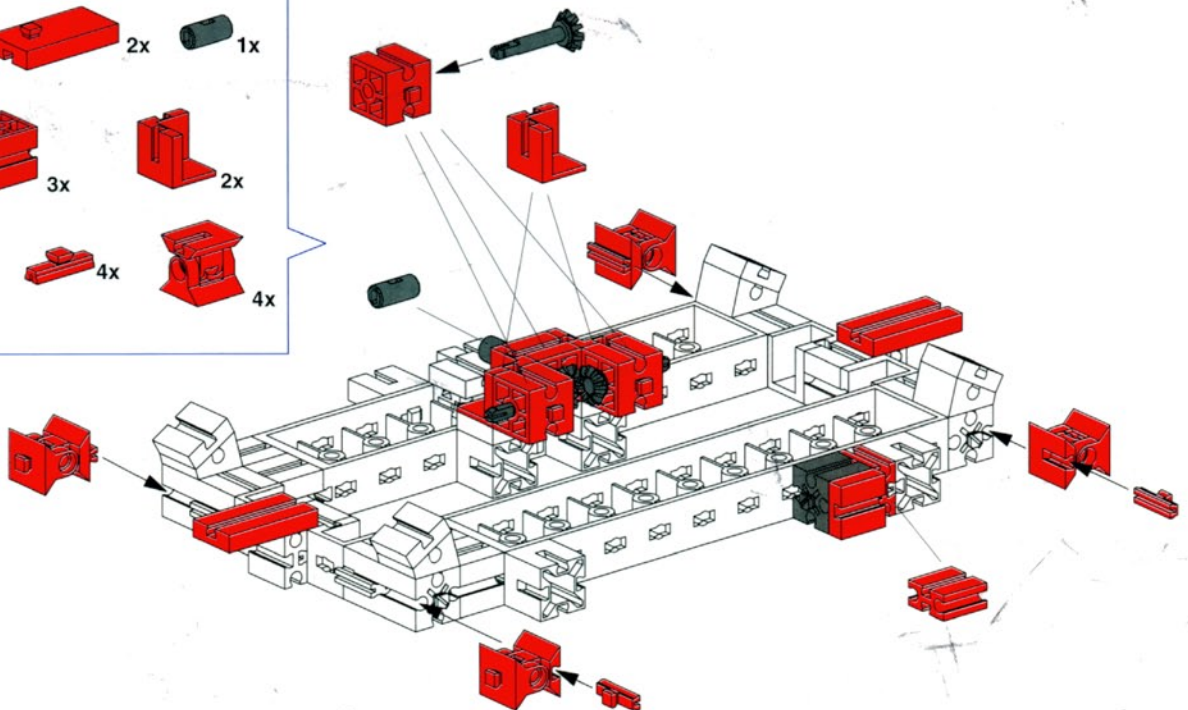
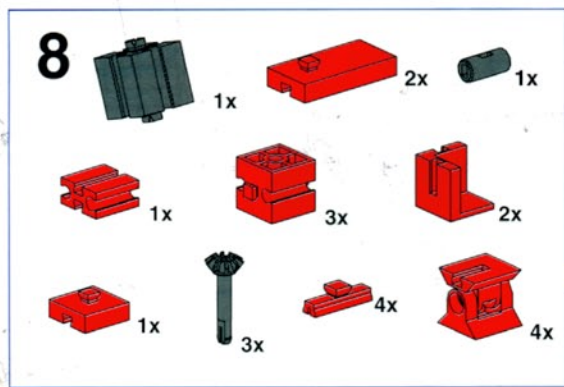
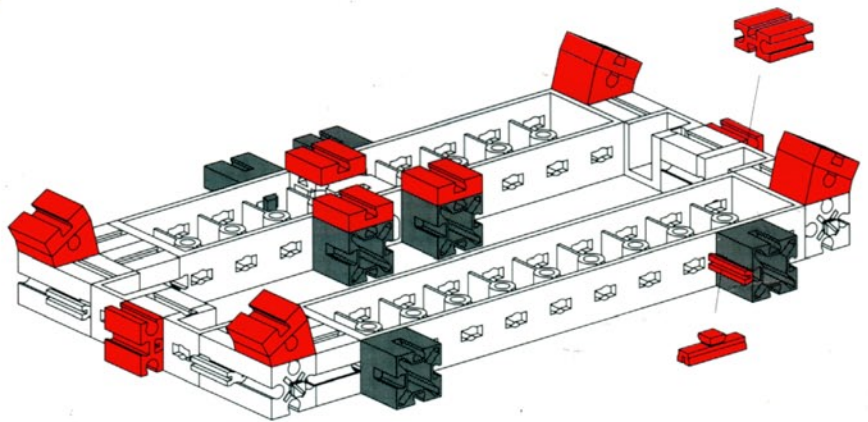
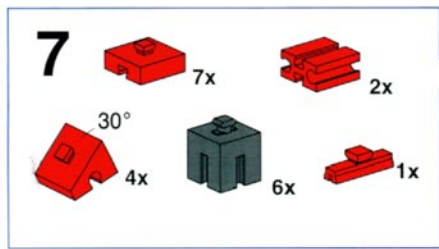
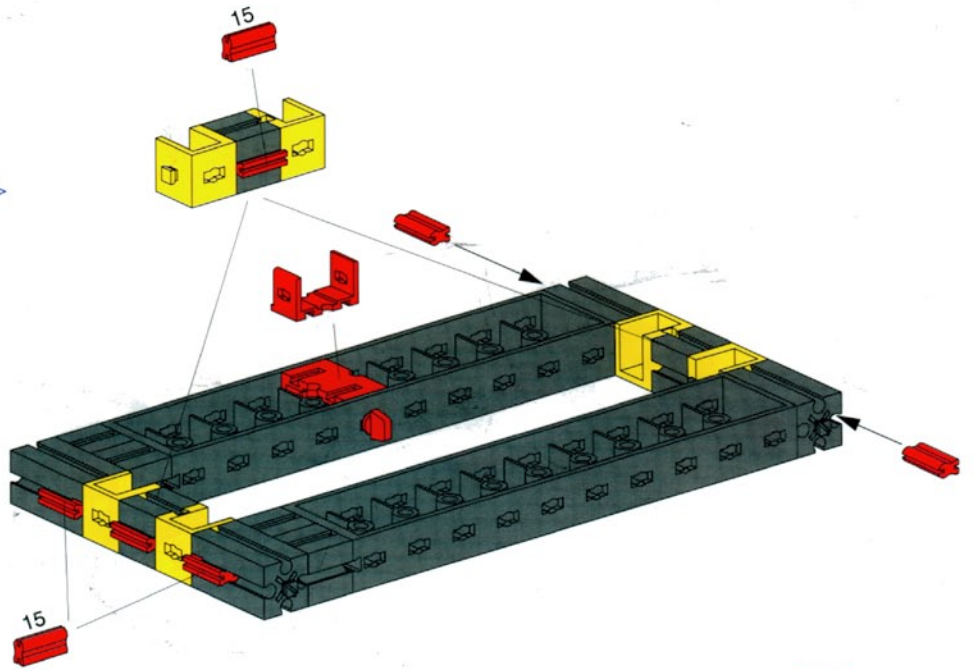
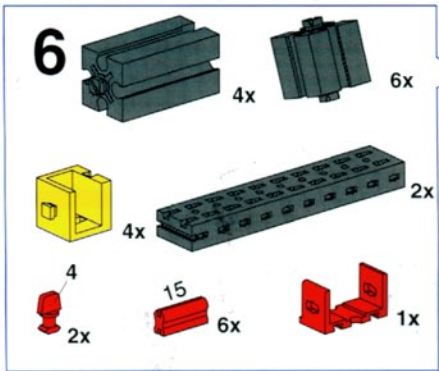




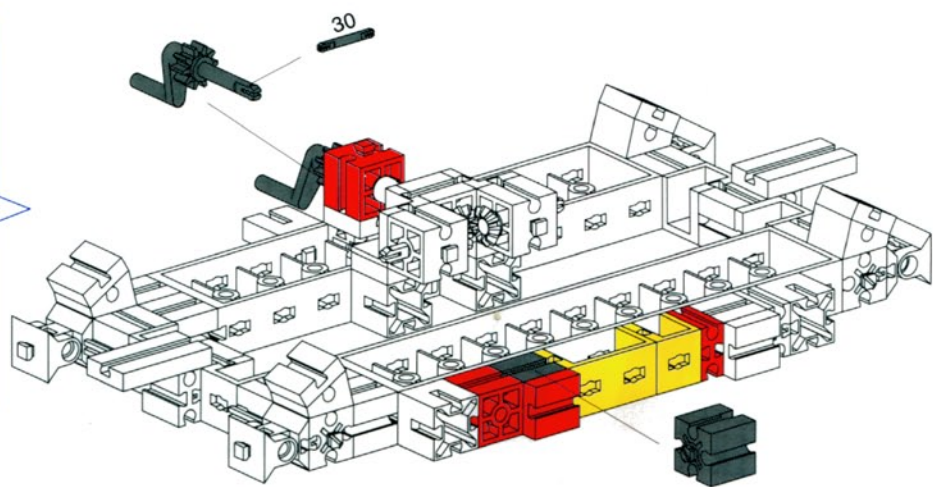
# Space control center



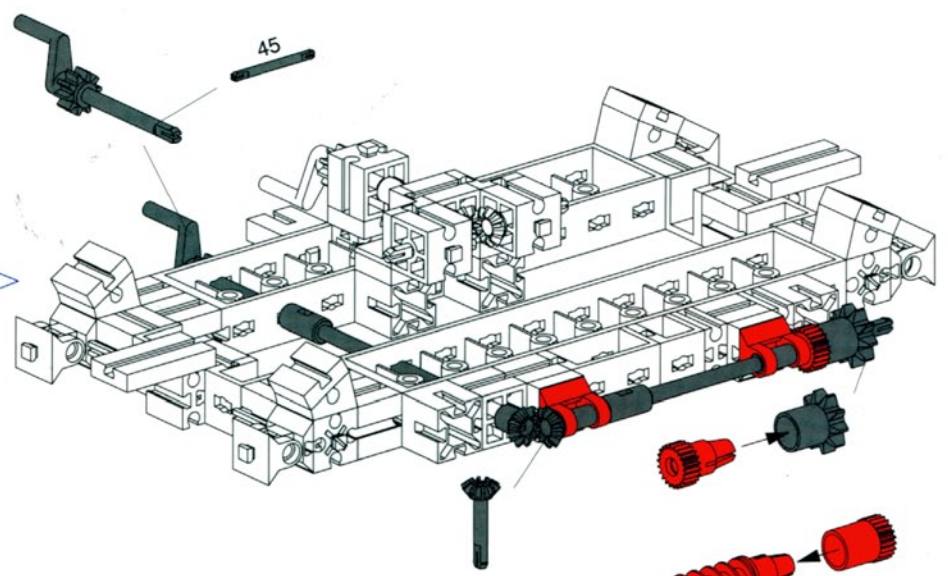




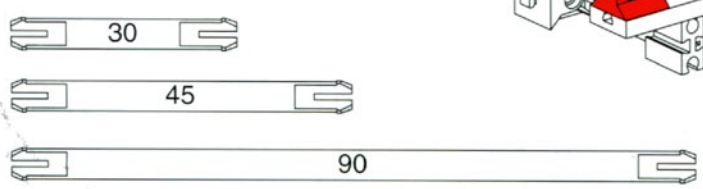
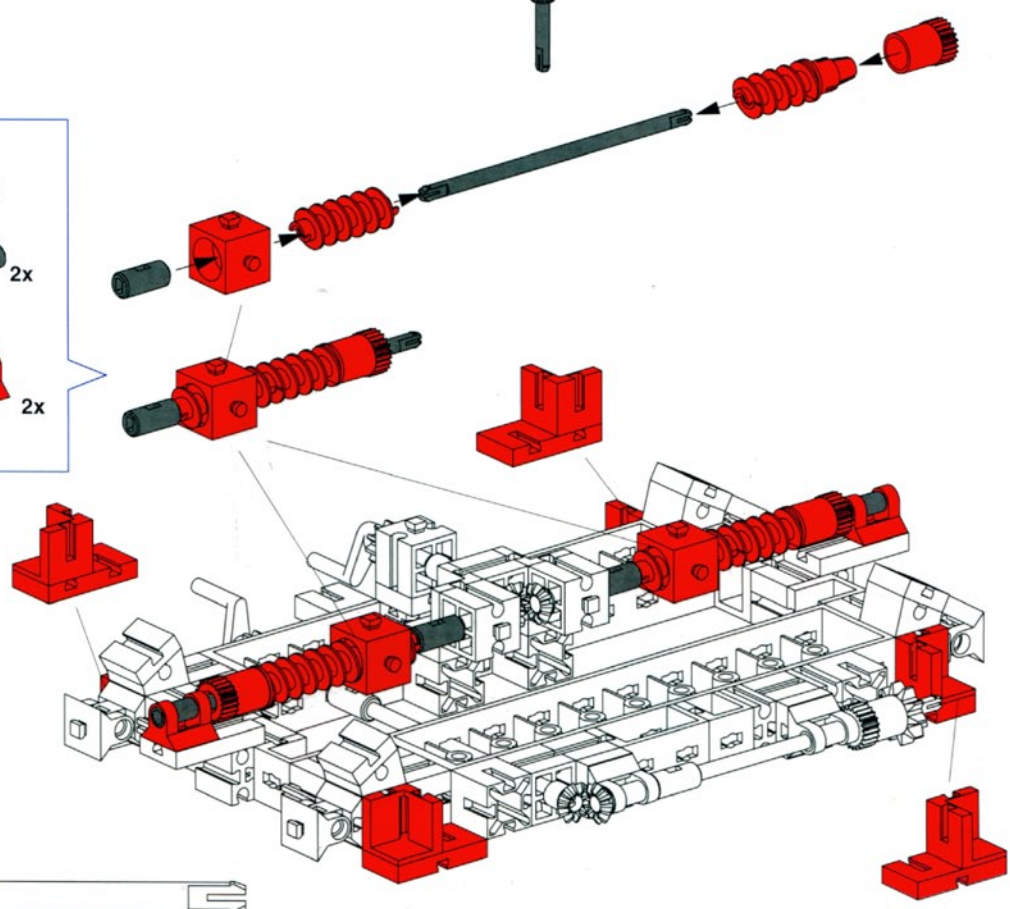
- 9**
- 1x [Black 2x2 Technic Connector]
  - 1x [Red 1x2 Technic Connector]
  - 1x [Red 1x2 Technic Connector]
  - 2x [Red 1x2 Technic Connector]
  - 1x [Yellow 1x2 Technic Connector]
  - 1x [Yellow 1x2 Technic Connector]
  - 1x [Black L-shaped Technic Connector]
  - 1x [Grey Technic Pin 30]



- 10**
- 2x [Red 1x2 Technic Connector]
  - 1x [Grey Technic Pin 45]
  - 1x [Red 1x2 Technic Connector]
  - 1x [Black L-shaped Technic Connector]
  - 1x [Grey Technic Pin 45]
  - 2x [Grey Technic Pin 45]
  - 1x [Grey Technic Pin 90]
  - 1x [Grey Technic Pin 45]



- 11**
- 1x [Grey Technic Pin 90]
  - 4x [Red 1x2 Technic Connector]
  - 2x [Red 1x2 Technic Connector]
  - 2x [Red 1x2 Technic Connector]
  - 4x [Red 1x2 Technic Connector]
  - 2x [Grey Technic Pin 45]
  - 2x [Red 1x2 Technic Connector]
  - 2x [Red 1x2 Technic Connector]
  - 2x [Red 1x2 Technic Connector]

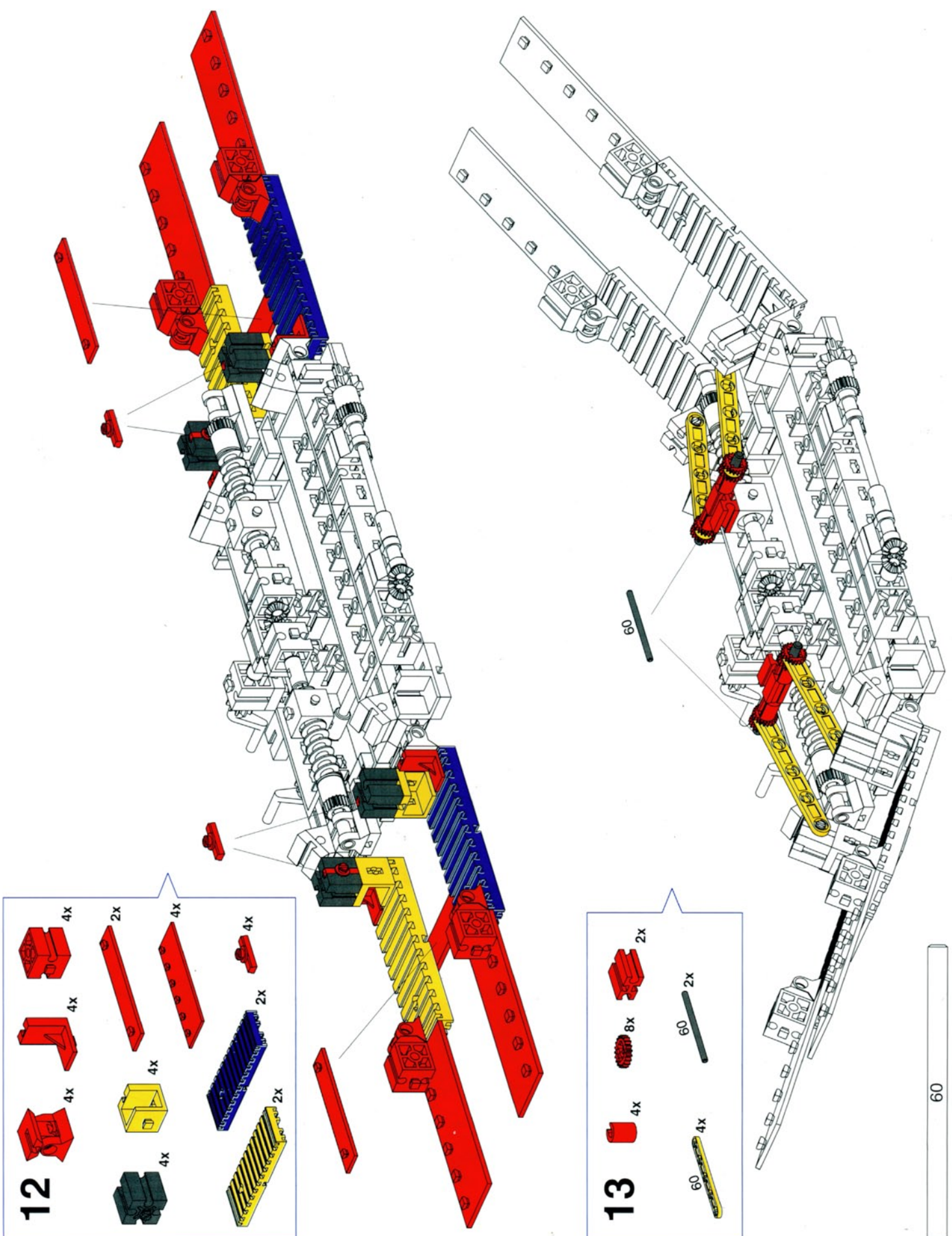


# 12

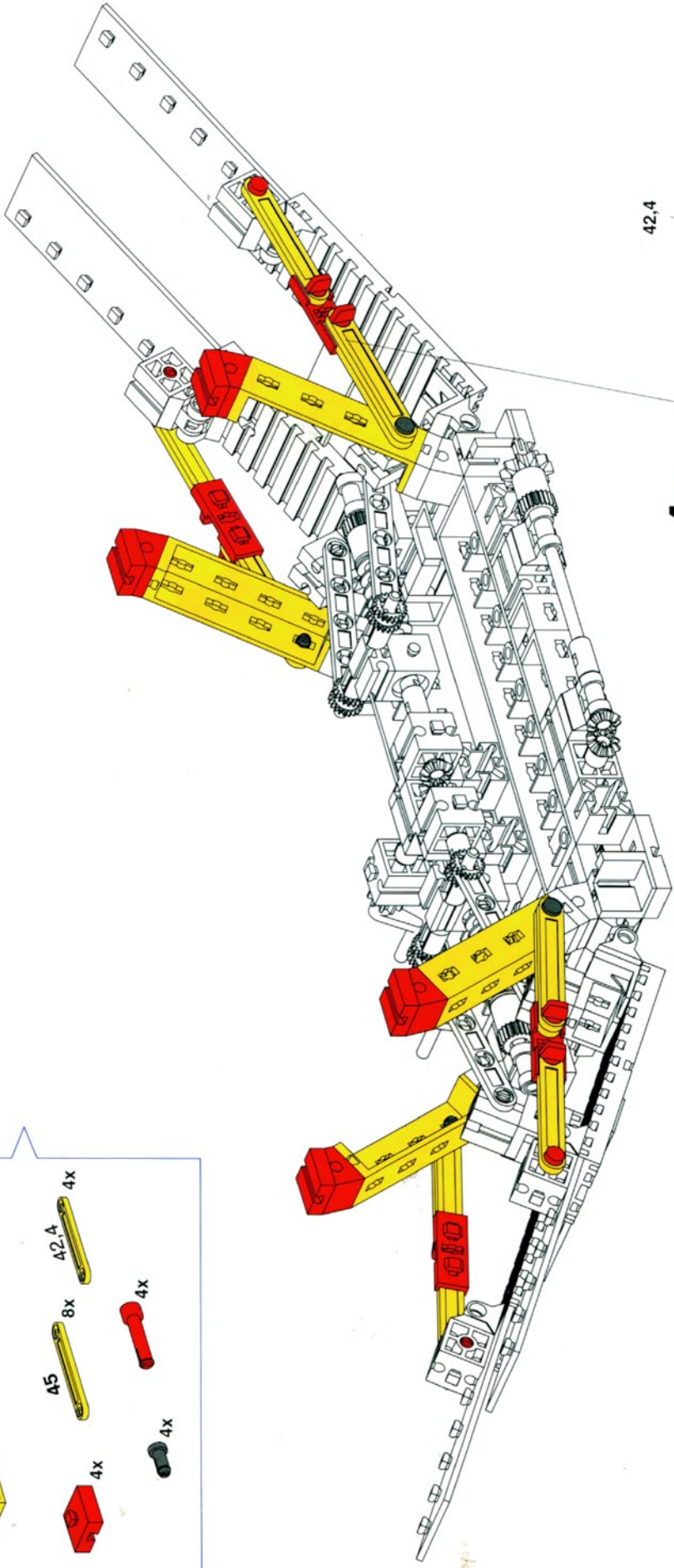
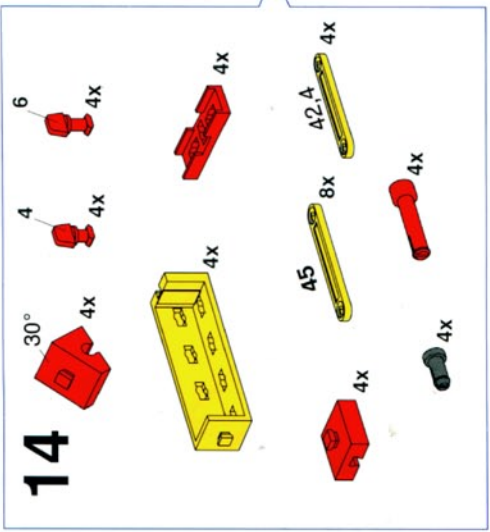
- 4x [Red 1x5 Technic Beam]
- 4x [Red 1x3 Technic Beam]
- 4x [Red 1x2 Technic Beam]
- 2x [Red 1x5 Technic Beam]
- 4x [Red 1x3 Technic Beam]
- 4x [Red 1x2 Technic Beam]
- 4x [Red 1x1 Technic Pin]
- 4x [Black 1x2 Technic Connector]
- 4x [Yellow 1x2 Technic Connector]
- 2x [Blue 1x6 Technic Beam]
- 2x [Yellow 1x6 Technic Beam]

# 13

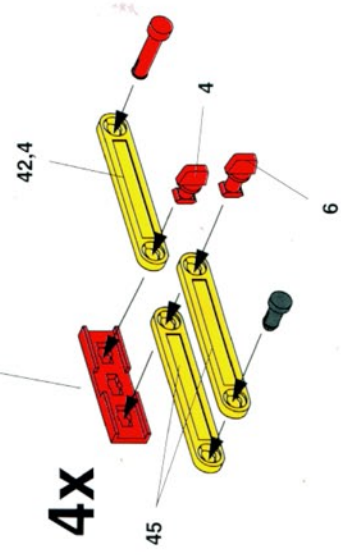
- 4x [Red 1x3 Technic Beam]
- 8x [Red 1x1 Technic Pin]
- 2x [Red 1x3 Technic Beam]
- 4x [Yellow 1x6 Technic Beam]
- 2x [Grey 60 Technic Pin]



14



4x



# 15

30° 4x

60° 4x

4x

4x

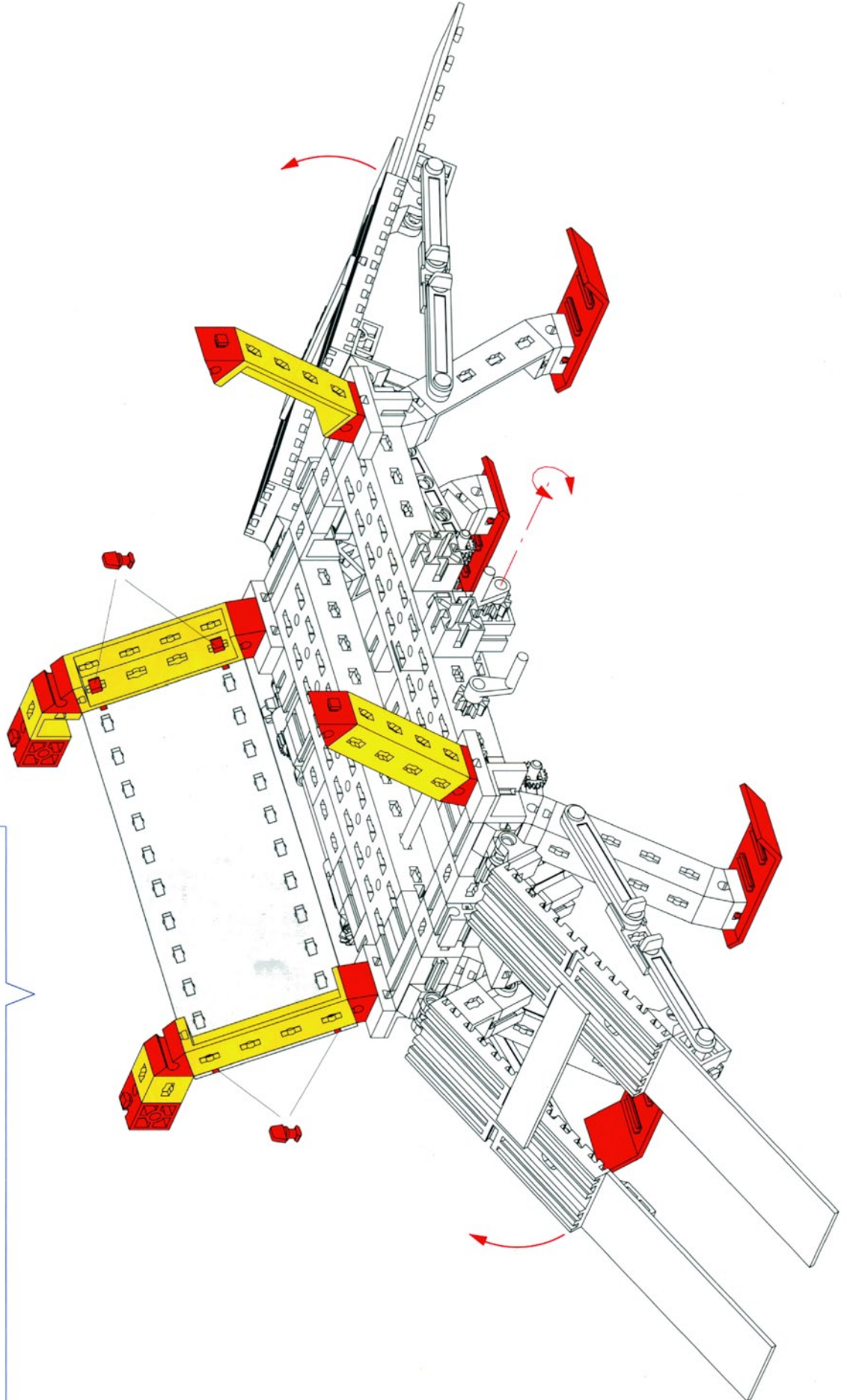
2x

2x

4x

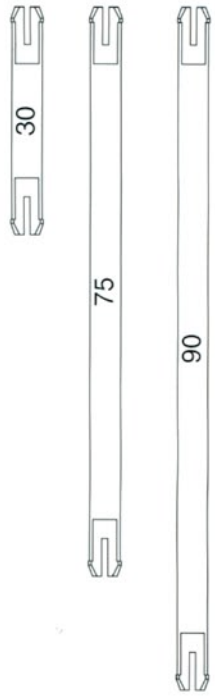
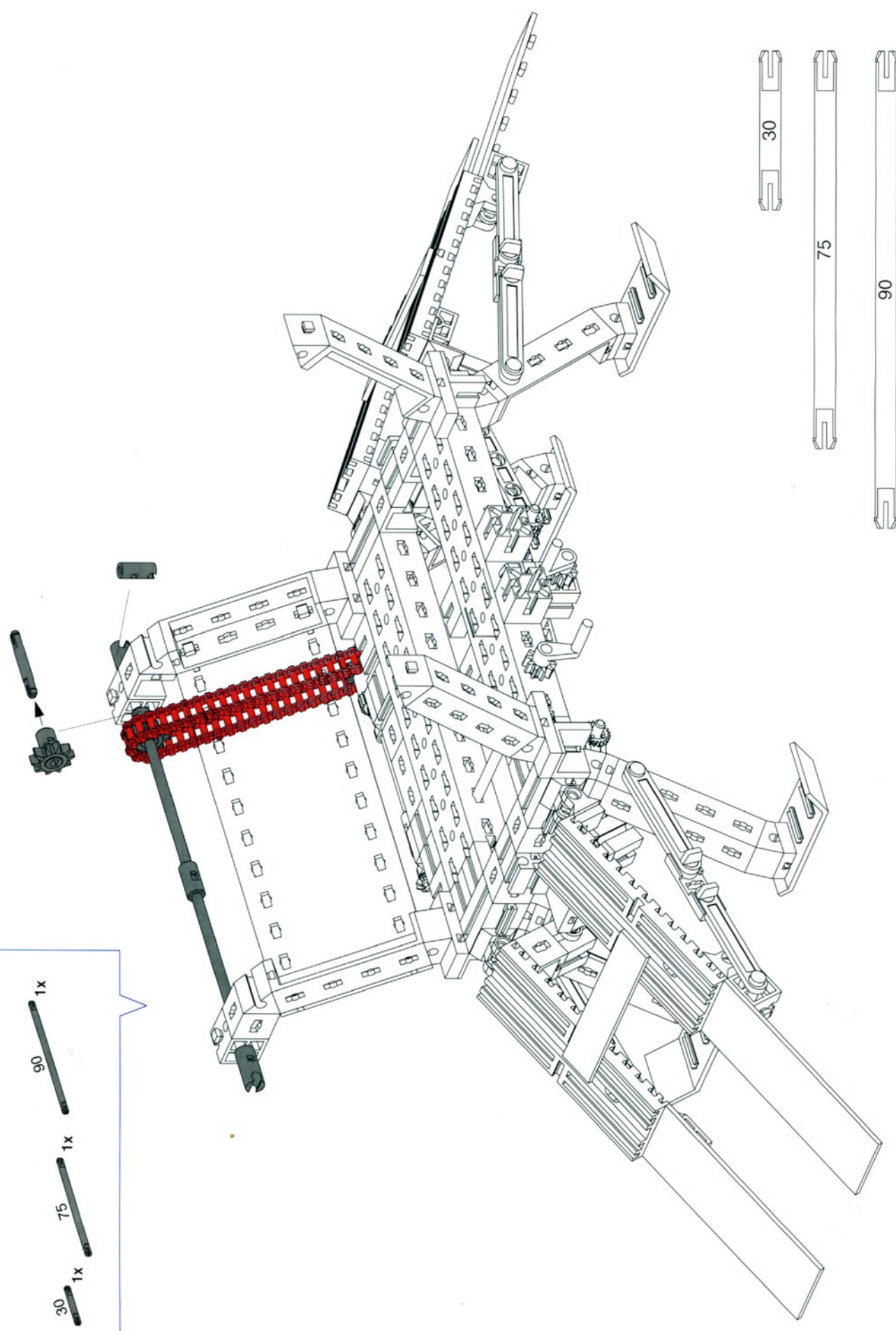
1x

4x

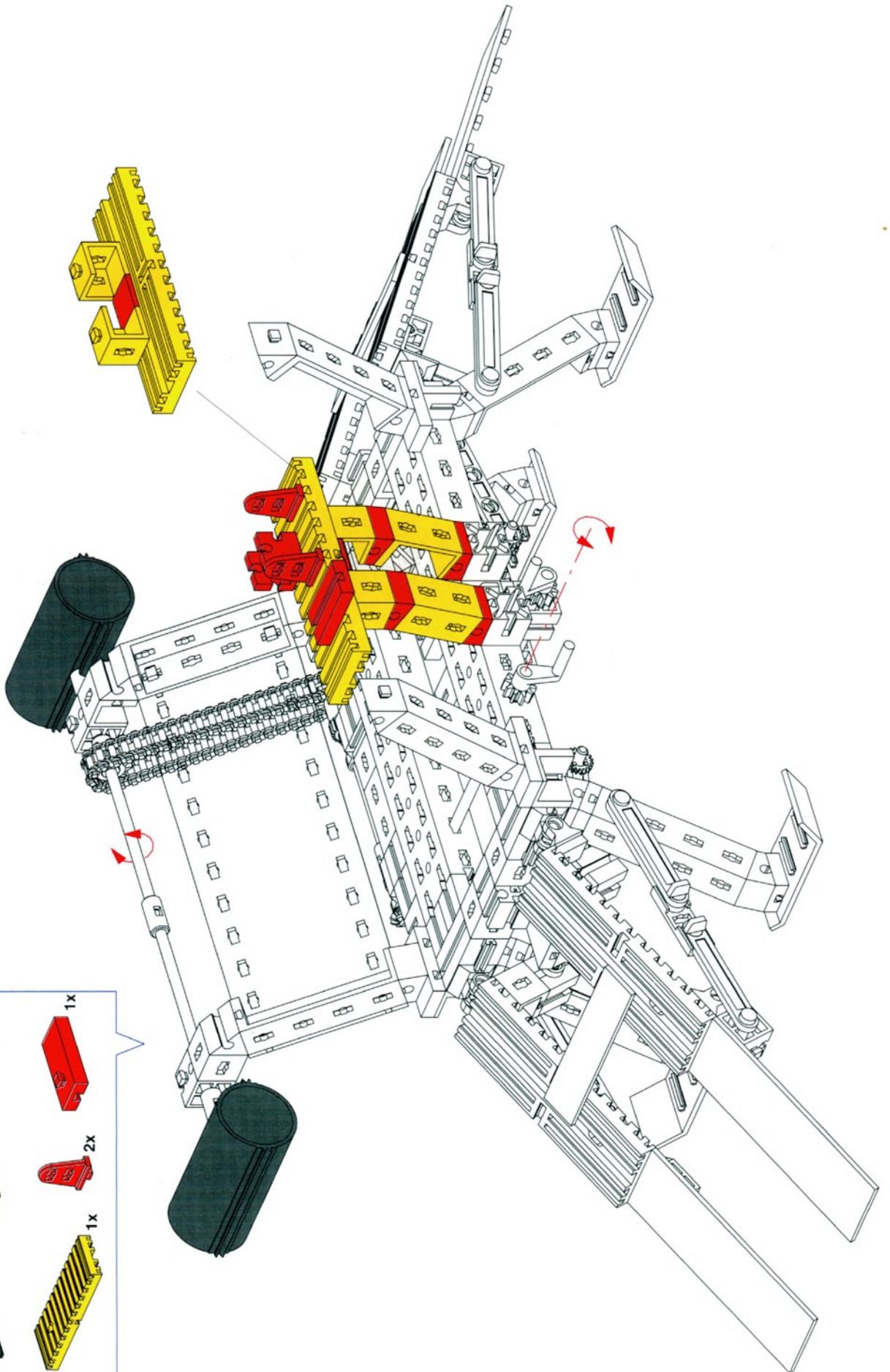
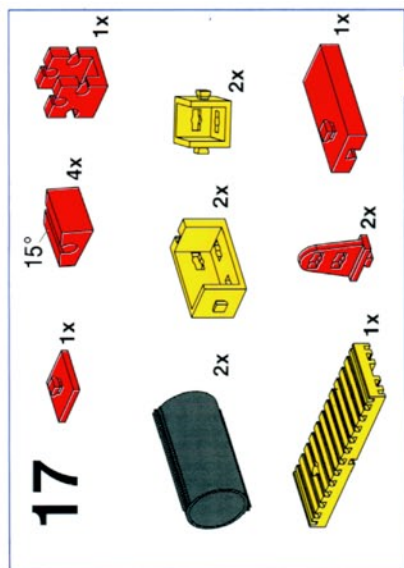


# 16

- 1x [Cylindrical component]
- 2x [Cylindrical component]
- 1x [T-shaped component]
- 45x [Red connector]
- 1x [Long grey rod, 90]
- 1x [Long grey rod, 75]
- 1x [Long grey rod, 30]

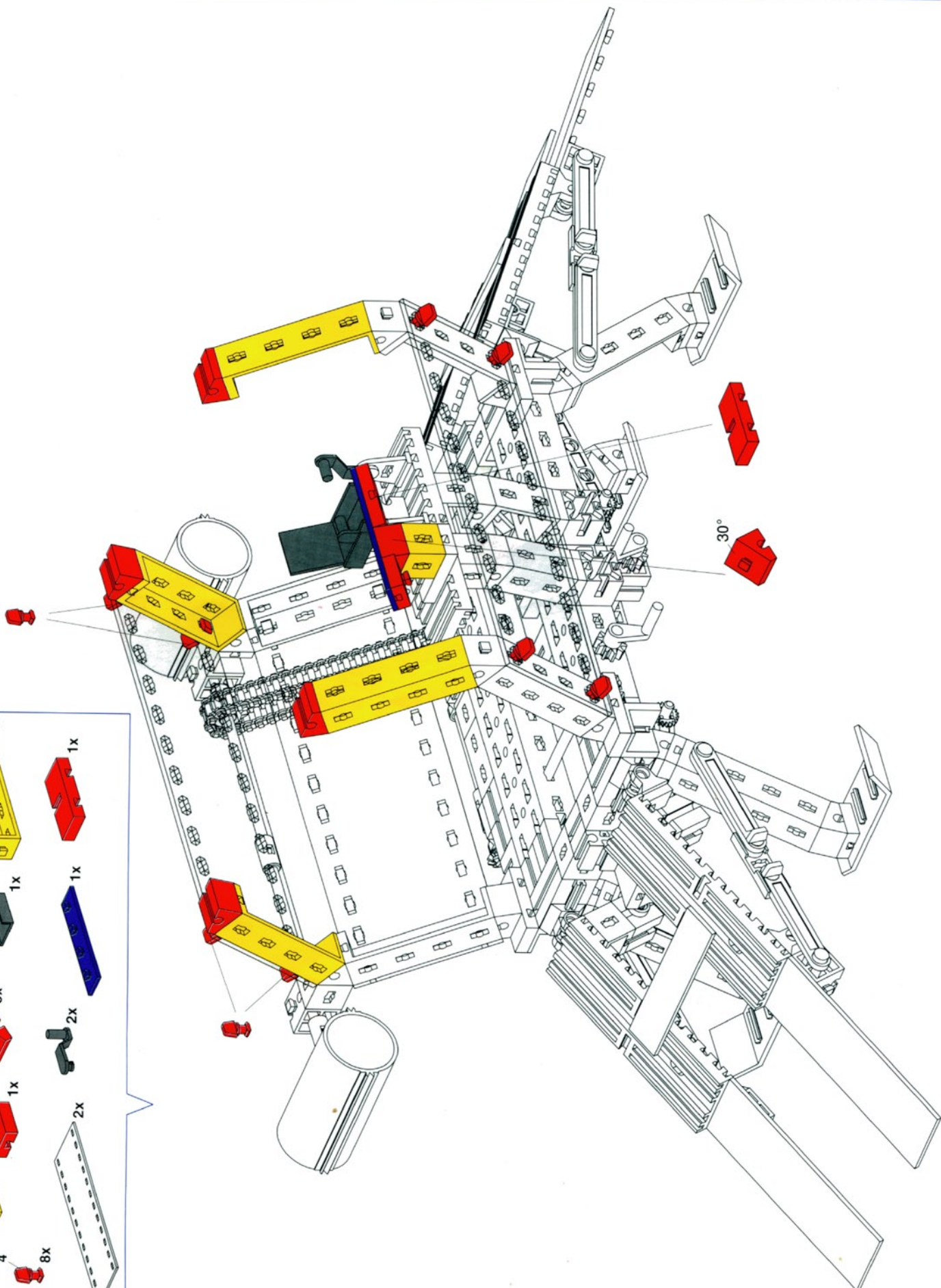




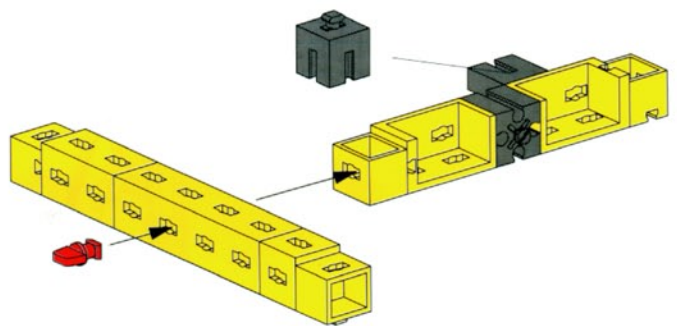
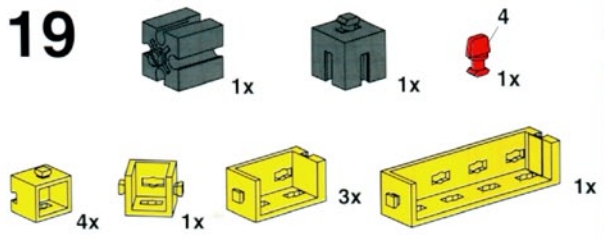


**18**

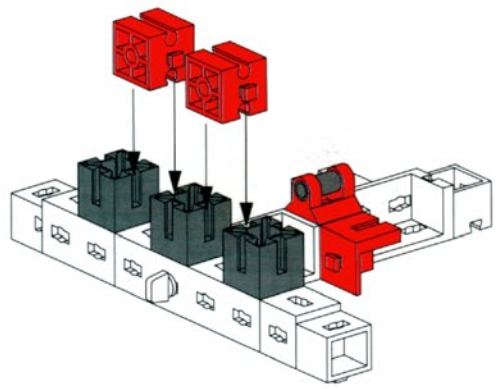
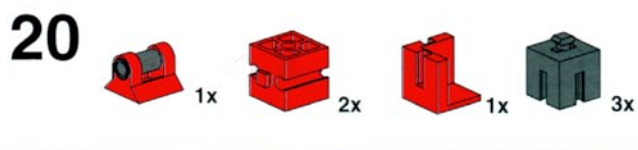
- 4x Yellow Technic Beam 1x5
- 1x Grey Technic Connector
- 5x Red Technic Connector (30°)
- 1x Red Technic Connector
- 1x Yellow Technic Connector
- 2x Grey Technic Connector
- 1x Blue Technic Beam 1x5
- 1x Red Technic Connector
- 2x Grey Technic Connector
- 2x White Technic Beam 1x15
- 4x Red Technic Pin
- 8x Red Technic Pin



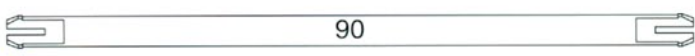
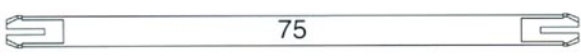
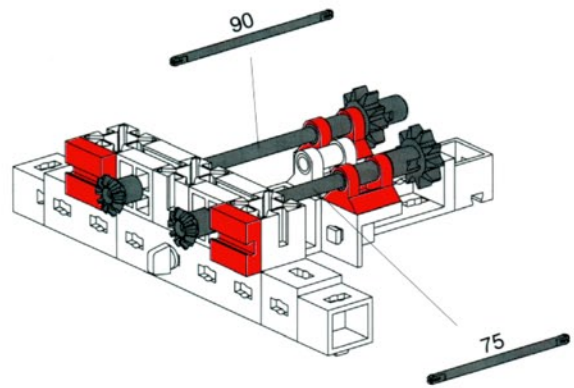
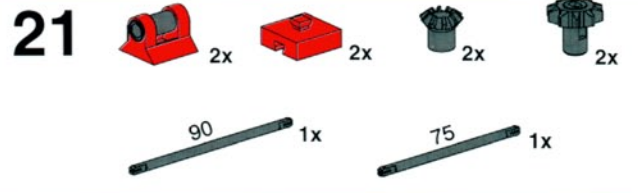
19

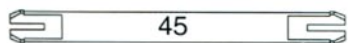
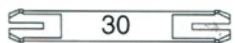
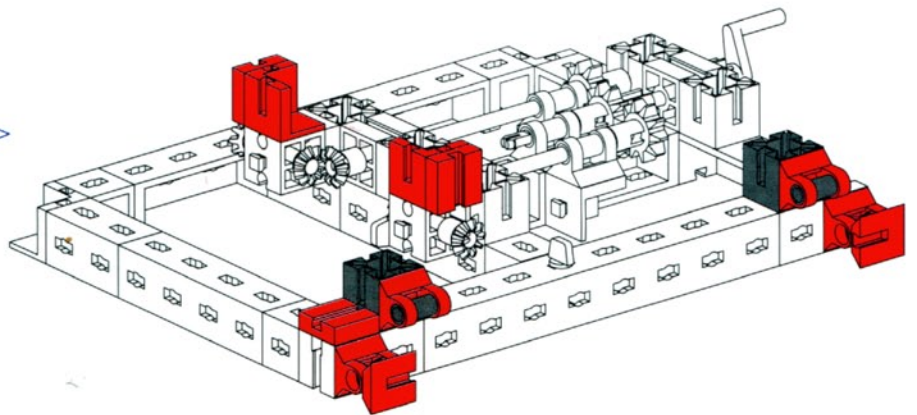
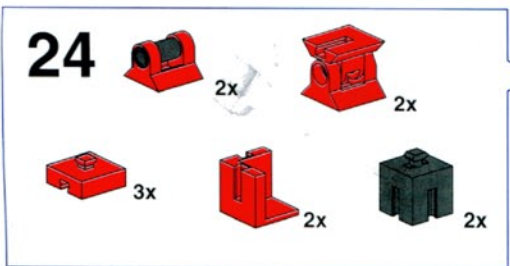
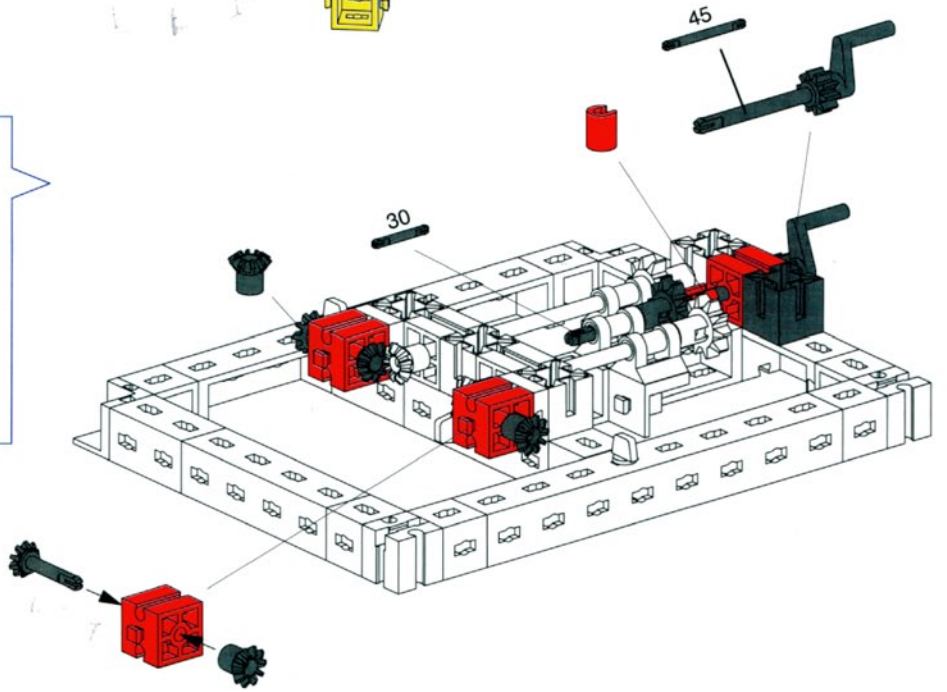
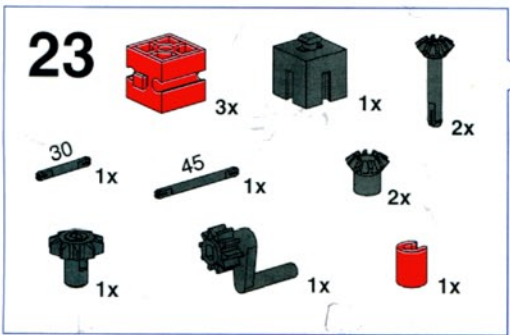
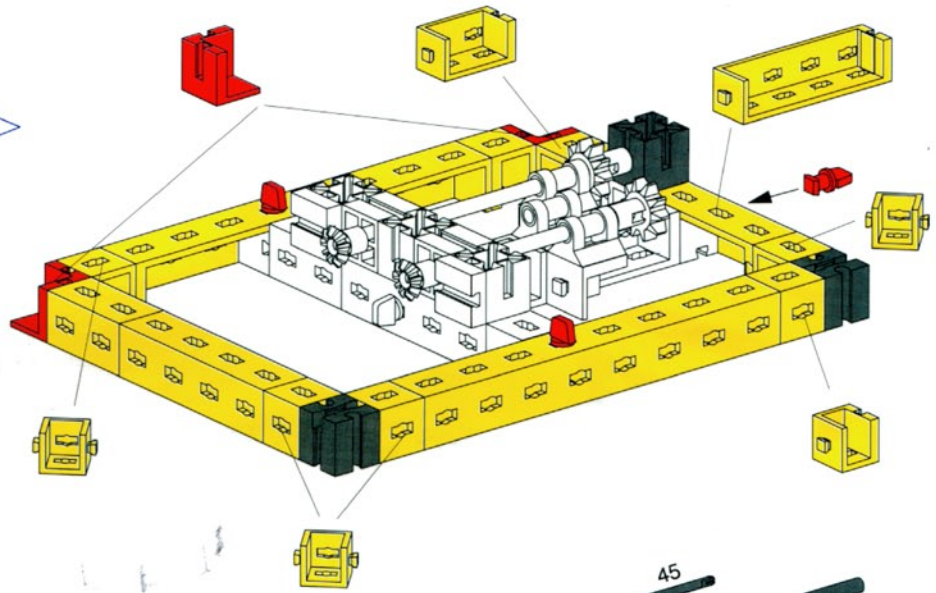
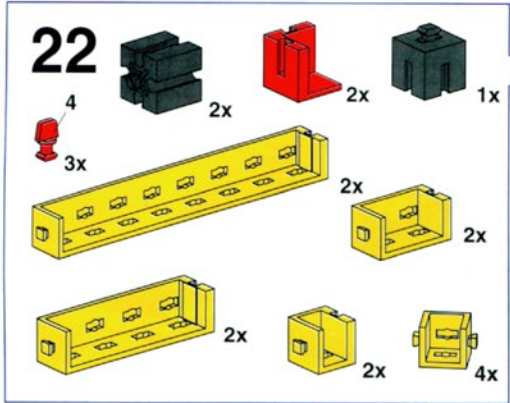


20

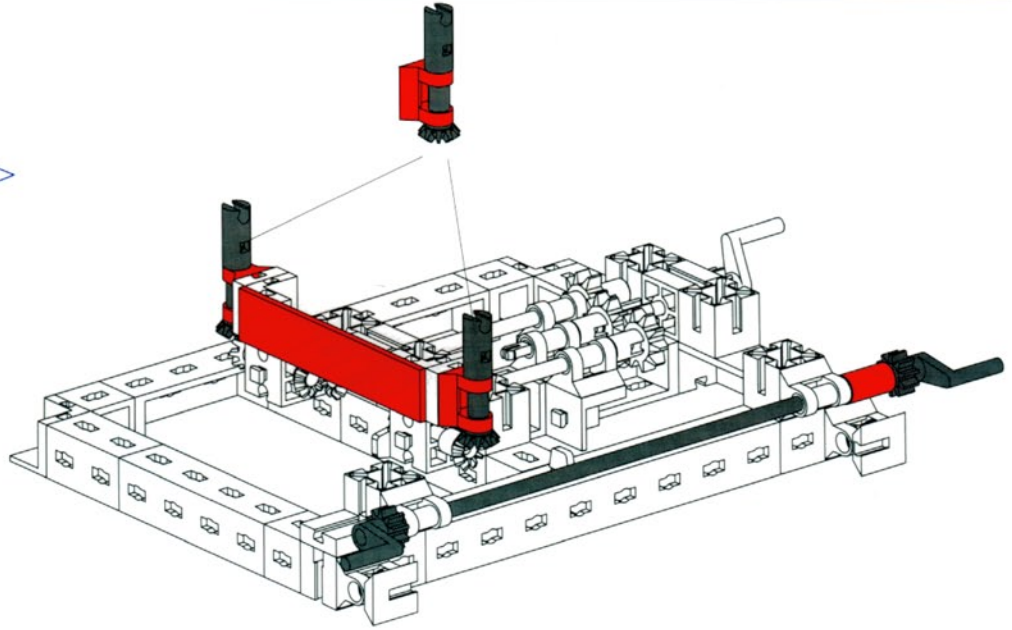
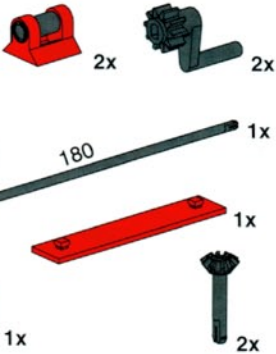


21

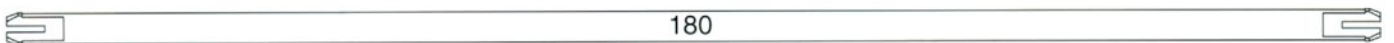
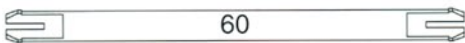
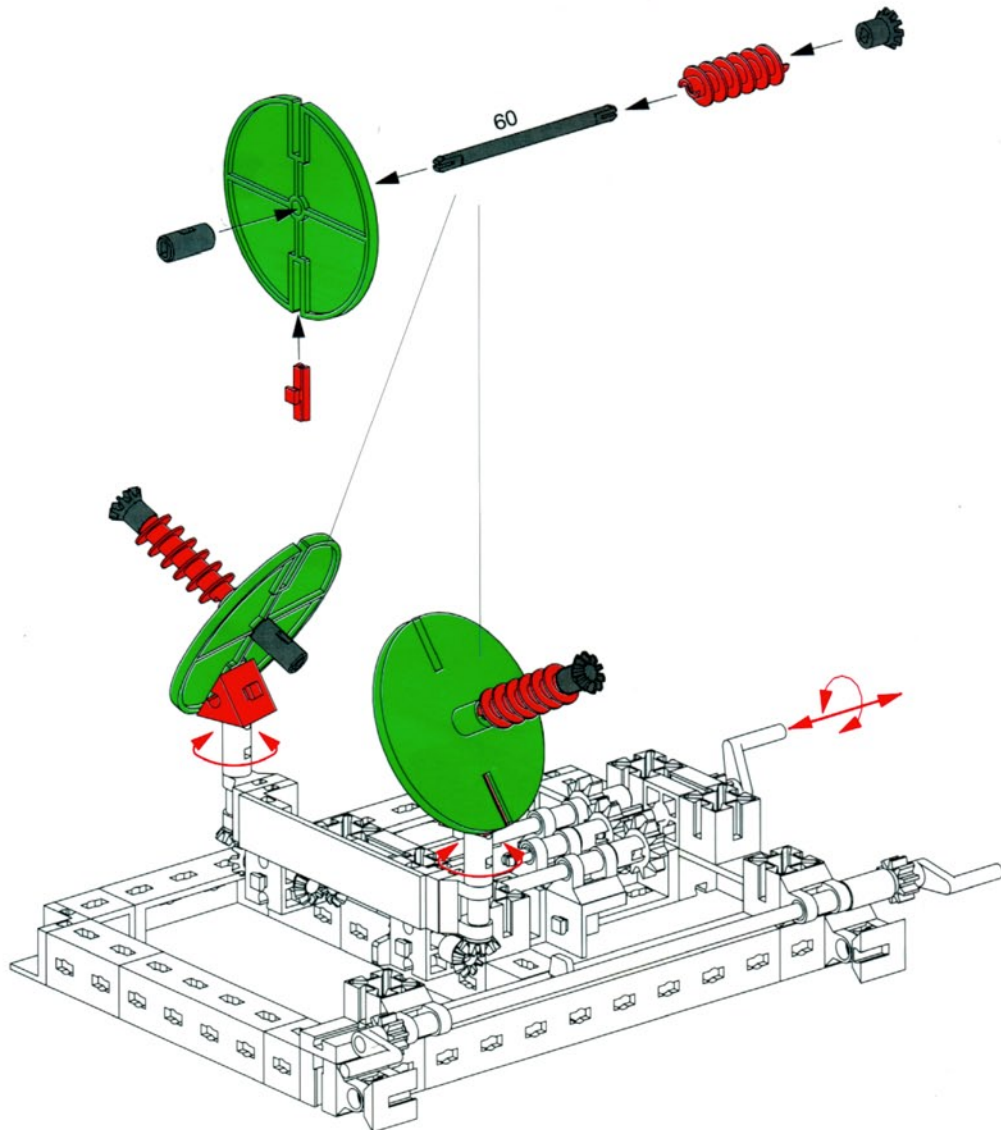
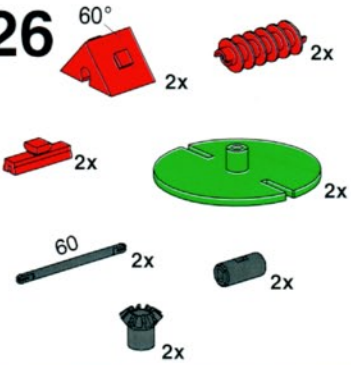


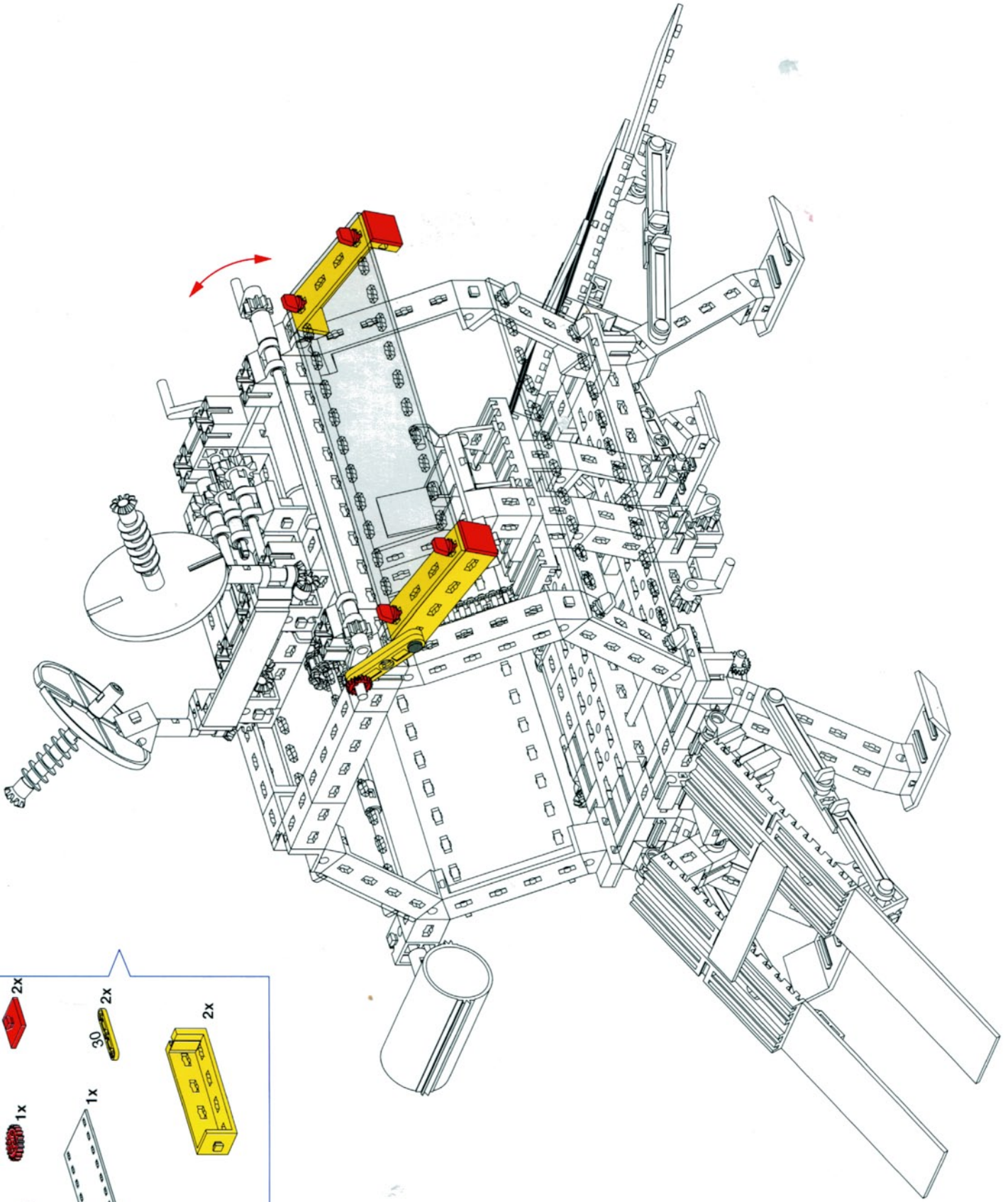


25



26





**27**

- 4x
- 1x
- 1x
- 1x
- 2x
- 2x
- 2x

